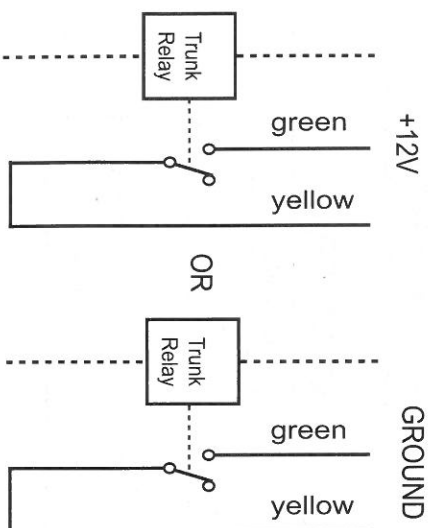
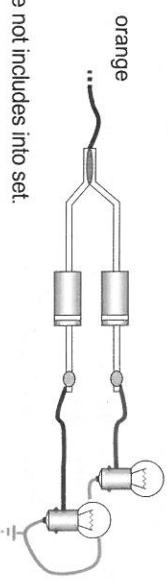


Diagram for trunk open

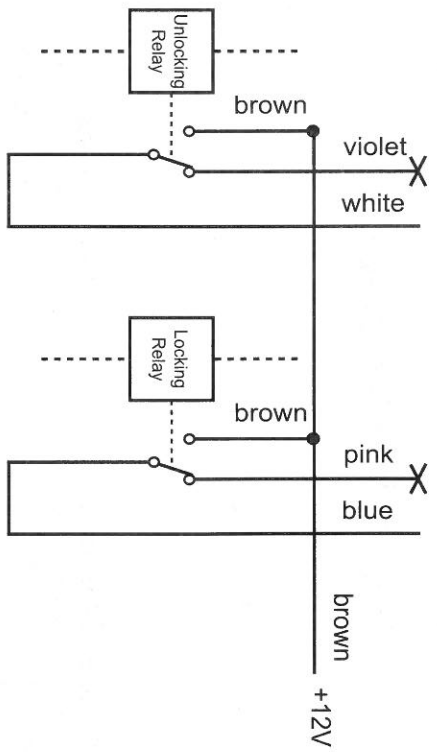


Lights connection



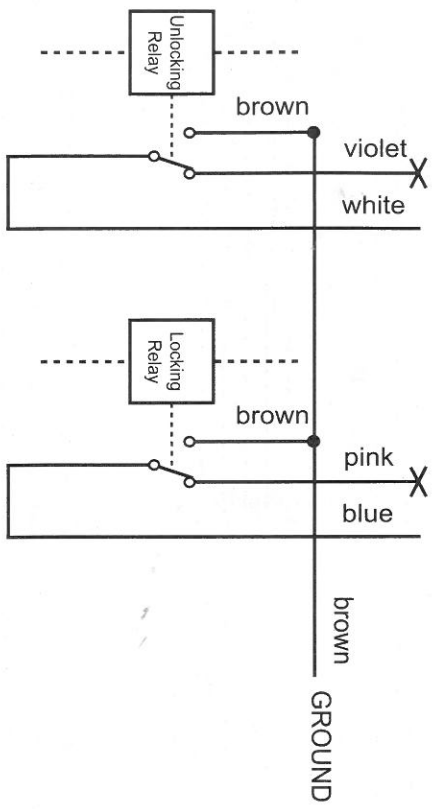
NOTE:
The rectifying diode not includes into set.

Diagram for locking, unlocking



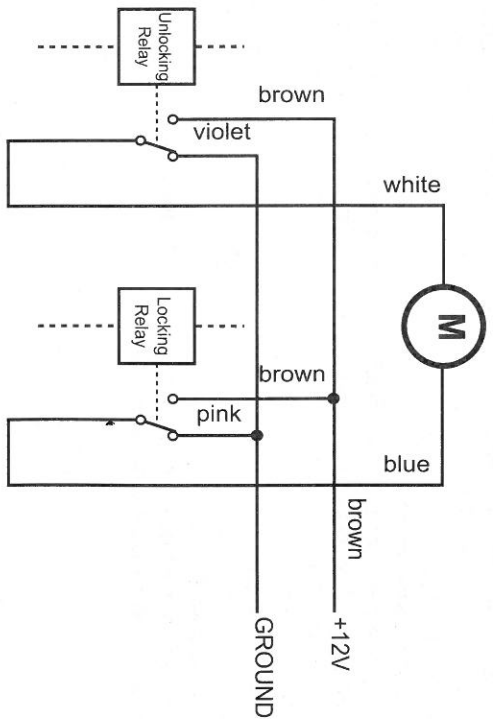
positive locking, unlocking

Diagram for locking, unlocking open



negative locking, unlocking

Connection main unit directly to servomotors for locking, unlocking



locking, unlocking with positive impulse

NOTE:
If main unit is connected to servomotors, connect Brown wire to +12V, Pink and Violet wires to GROUND