

B18 LED BEACON



FEATURES

- Newly design optic with powerful and even light output.
- Available with optional Tall Base to suit your vehicles.
- EMC safety compliance.
- Multi-Voltage Input 12~24VDC.
- Long life LEDs rated to 100,000 hours of operation.
- Non-volatile memory recalls last flash pattern used at power up.
- Reverse polarity protection.
- Weatherproof and vibration resistant design for external or internal use.

SPECIFICATIONS

Compliance: ECE R65 (TA1, TB1); ECE R10
SAE J845 Class 1; IPX6

Operating Voltage: 12~24VDC

No. of Warning Patterns: 11

LED Element: High Power LED x 15 pcs

Avg. Current: 0.93A@12.8VDC / 0.47A@24VDC

Max. Current: 1.86A@12VDC / 0.93A@24VDC

Avg. Power: 11.15W

Max. Power: 22.3W

Wires: *Magnetic Mount*

- Single button cigar-plug: 300cm (18AWG)

Permanent Mount

- Red-Vcc : 40cm (18AWG)
- Black-GND: 40cm (18AWG)

Fuse Rating: 3A

Storage Temp.: -40°C to +75°C

Operating Temp.: -30°C to +65°C

LED Colour: Amber, Blue, Red

Lens Colour: Amber, Blue, Red, Clear

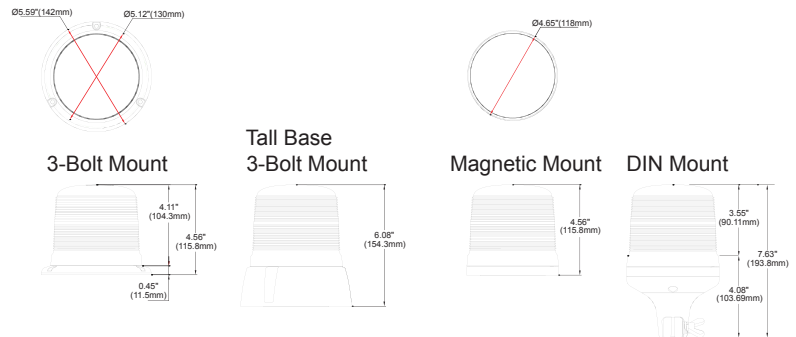
ACCESSORIES

99-B018M00-000

B18 Branch Guard
(*For Standard Base Only)



DIMENSIONS



PART NO.

- **B018-11x38-00R** (SAE, Amber LED, Amber Lens)
- **B018-51x34-00R** (ECE R10, Red LED, Red Lens)
- **B018-11x32-00R** (SAE, Blue LED, Blue Lens)
- **B018-11x2W-00R** (SAE, White LED, Clear Lens)
- **B018-21x38-00R** (ECE R65, Amber LED, Amber Lens)
- **B018-21x32-00R** (ECE R65, Blue LED, Blue Lens)
- **B018-21x3B-00R** (ECE R65, Blue LED, Clear Lens)
- **B018-21x3C-00R** (ECE R65, Amber LED, Clear Lens)

Mounting:

replace x for:

- | | |
|---|-----------------|
| 1 = 3-Bolt Mount | (Standard Base) |
| 2 = Magnetic Mount W/ 1-Button Cigar-Plug | (Standard Base) |
| 3 = DIN Pole Mount | (Standard Base) |
| 4 = Magnetic Mount W/ European Cigar Plug | (Standard Base) |
| 6 = 3-Bolt Mount | (Tall Base) |
| 7 = Magnetic Mount W/ 1-Button Cigar-Plug | (Tall Base) |
| 8 = Magnetic Mount W/ European Cigar Plug | (Tall Base) |

FLASH PATTERN

FLASH PATTERNS					
1	Double	[R65]	7	Quint	[SAE]
2	Single	[2Hz]	8	Mega	
3	Quad	[2Hz]	9	Ultra	[SAE]
4	Single	[SAE]	10	Single-Quad	
5	Double	[SAE]	11	Single H/L	
6	Quad	[SAE]			