



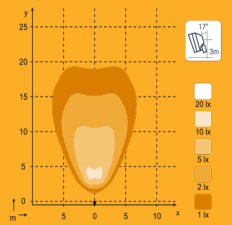
## NORDIC SCORPIUS LED N42

The Nordic SCORPIUS LED N42 work lamp offers an affordable upgrade for your lighting needs.

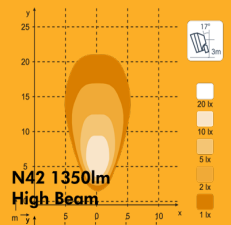
The light offers long lifetime and high operational safety with minimum maintenance. Suitable for harsh conditions and a range of applications.

### Light patterns

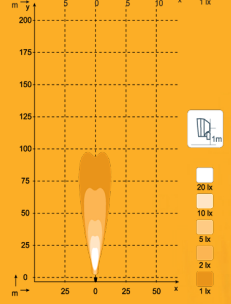
**N42 1350lm Wide Flood**



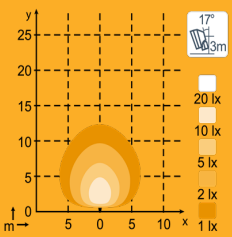
**N42 1350lm Flood**



**N42 1350lm High Beam**



**N42 1080lm Diffused**

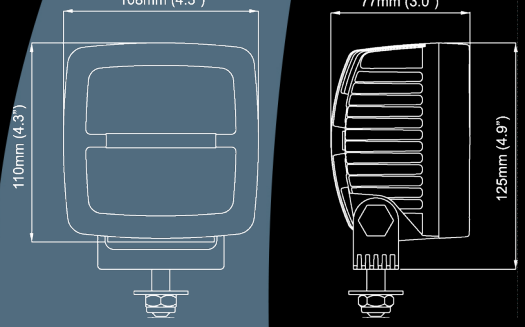


# NORDICLIGHTS

## Features

- Long Lifetime
- Low Maintenance
- Waterproof
- Heavy Duty Construction
- Reverse Voltage
- EMC
- Load Dump Protected
- Over Voltage Protected
- Overheat Protected
- Salt Mist
- Optically Even Light
- Distinct Light Pattern
- Different Lens Colour
- Replaceable Lens
- Multi Voltage
- Compact

## Drawings



## Specifications

Theoretical Lumens Output:	2200lm
Operational Lumens Output:	1350lm
Colour Temperature:	5700K
Nominal / Input Voltage DC:	12- 9-32V
Power Consumption:	23W
Nominal Current at:	24V : 1.0A 12V : 1.9A
Electronics:	Integrated
Connector:	Built-in Deutsch 2-pin
Mount:	Single Bolt M10
Shock:	60G
Vibration:	15.3Grms 24-2000Hz
Lens:	PC
Optional Lens Colours:	Amber Red Transparent Yellow
Body:	Aluminium
Weight:	1.2kg
IP Rating:	IP68 IP6K9K SAE J1455
Salt Mist:	ISO 9227 240H
EMC:	CISPR 25 Class 3 ISO 13766 ISO 14982 ISO 7637-2
Operating Temperatures:	-40°C... +85°C (Overheat protected)
Packing:	12 pce / Box

**Nordic Lights™**  
**Herrmans Oy Ab**  
 P.O. Box 36, Bennäsvägen 143  
 FIN-68601 Jakobstad, FINLAND  
 Tel: +358 (0)6 781 5100  
 Fax: +358 (0)6 723 3160  
 E-mail: nordiclights@nordiclights.com  
 Web: www.nordiclights.com  
 VAT ID: FI17390930