

# STEALTH max

12~24VDC

6+6 LED Warning Lighthouse

Dual Colour



## FEATURES

- Ultra bright **Dual Colour** lighthouse with ECE R65 Class 2 approved.
- 0.5" (13.1mm) thickness that perfectly fit in with any vehicle for highly versatile application.
- Independent Cruise Mode allow two colour selection.
- Low Power wire for ECE R65 Class 1 operation.
- EMC rating exceeds automotive standards.
- Multi memories design for instant switch between selected flash patterns and/or colours.
- Non-volatile memory recalls last flash pattern used at power up.
- Multi-units synchronization in simultaneous or alternating flash.
- Reverse polarity protection.
- Weatherproof and vibration resistant design for internal or external use.
- Die-cast aluminium base for heat dissipation.

## SPECIFICATIONS

**Compliance:** ECE R65 Class 2 (XA2/XB2/XR2), ECE R10, SAE J595 Class 1, CA Title 13, CISPR 25, IPx7

**LED Elements:** High-power LED x 12pcs

**No. of Warning Patterns:** 28 Flash Patterns

**Operating Voltage:** 12~24VDC

**Avg. Current:** 0.68A @12VDC / 0.34A @24VDC (varies with flash pattern)

**Max. Current:** 1.35A @12VDC / 0.68A @24VDC

**Avg. Power:** 8.1 Watt (varies with flash pattern)

**Max. Power:** 16.2 Watt

**Wires:** Black — GND

Red — Warning Memory 1

White — Warning Memory 2

Blue — Cruise Mode

Green — Low Power

Yellow — Flash Patterns & Sync

**Wire Length:** 21 cm (20AWG x 6)

**Fuse Rating:** 2A

**Synchronization:** Up to 20 units

**LED Colour:** Red, Blue, Amber, White

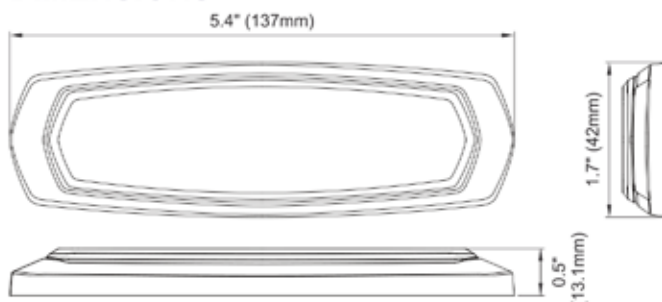
**Lens Colour:** Clear

**Storage Temp.:** -40°C to +75°C

**Working Temp.:** -30°C to +65°C



## DIMENSIONS



## FLASH PATTERN

Flash Pattern				
1	Double	[R65]*	15	Single-Quad
2	Single	[2Hz]	16	Single H/L
3	Triple	[2Hz]	17	Single-Triple-Quint
4	Quad	[2Hz]	18	Steady Scene
5	Random		19	Single-Single
6	Steady EF**		20	Double-Double
7	Single	[SAE/CA13]	21	Triple-Triple Mid
8	Double	[SAE]	22	Triple-Triple Fast
9	Triple	[SAE]	23	Quint-Triple
10	Quad	[SAE]	24	7-1 Flash
11	Quint	[SAE]	25	7-1 Flash #
12	Mega		26	Quad-Single
13	Giga		27	Quad-Single #
14	Ultra	[SAE]	28	Quint-Quint

FP#19~28 will always operate in dual colour.

\* Actual approval will be based on the model ordered.

\*\* For use with external flash controller.

# Inverted colour mode.

## FLANGE KIT

included in delivery  
( Flange, Black)



available as spare part  
**1603-300667**  
( Flange, Chrome)



available as spare part  
**1603-300668**  
( Flange, White)

