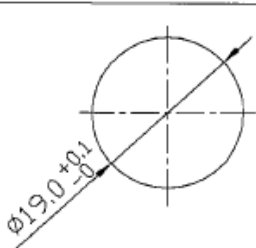
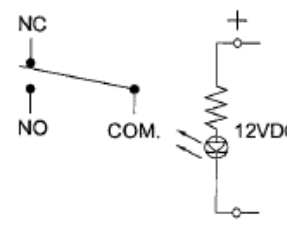


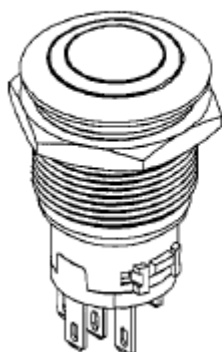
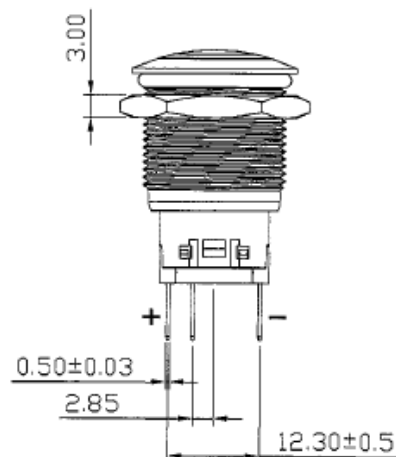
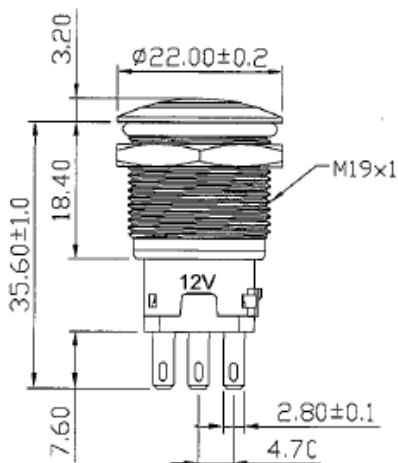
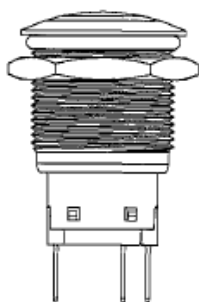
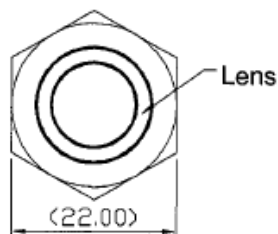
1570-30262

Rating	10A 14VDC	Mounting Hole 	Circuit Diagram 
Contact Resistance	50m ohm Max.		
Insulation Resistance	DC 500V 100M ohm Min.	Thickness:0.7~10.0	LED independent
Dielectric Strength	AC 500V 1 minute		
Operation Temperature	-20°C~+70°C		
Switch Function	5P SPDT ON-ON (LED independent)		

***MATERIAL:**

Frame: SUS304
 Actuator: SUS304
 Lens: PC, Red clear
 LED: Red
 Hex Nut: SUS304
 Hosing: Black, PA#66
 Bottom: Black, PBT+15%GF

*Water Proof: IP67 with Panel seal



STARTAX

Maahantuaja:
 Startax Finland Oy

Kannistontie 138, 33880 Lempäälä | puh. (03) 275 050 fax. (03) 275 0555
 www.startax.net