

SCORPIUS PRO 445

NORDIC LIGHTS® Scorpius PRO 445 is the newest addition to our product range. This is the next-generation Scorpius work light with improved design, the very latest in LED technology, and improved color rendering. For your safety, this light has superior electromagnetic compatibility (CISPR 25 Class 5). The Scorpius PRO 445 offers better mechanical properties, is lighter in weight, and has a new lens material with exceptional heat tolerance. It has an asymmetric wide flood feature and a light output of 4400 lumens.



Not all products are available in all markets. During continuous improvement specifications and design are changing. All values are nominal values. Illustrations do not necessarily show the design of every version and some features are version specific. The lumens output varies depending on lens colour.

TECHNICAL DATA

Theoretical Lumens Output	7000 lm	Vibration	15.3Grms 24-2000Hz
Operational Lumens Output	4400 lm	Lens	Grilamid® (registered trademark of EMS-GRIVORY)
Colour Temperature	5000 K	Body / Housing	Aluminium
Nominal Voltage DC	12 - 24 V	Weight	1.1 kg
Input Voltage DC	9 - 32 V	IP Rating	IP68, IP6K9K, SAE J1455
Power Consumption	50 W	Salt Spray Test	ISO 9227 240H
Nominal Current at	24V=2.1A, 12V=4.2A	EMC	CISPR 25 Class 5, ISO 13766, ISO 14982, ISO 7637-2
Connector	Built-in Deutsch DT-2 (2-pin)	Operating Temperatures	-40°C... +85°C (Overheat protected)
Mount	Single Bolt M10	Part Numbers	Flood: 984-701B, High Beam: 984-704B, Wide Flood Asymmetric: 984-703B, Wide Flood Symmetric: 984-702B
Shock	60G		

CONNECTORS



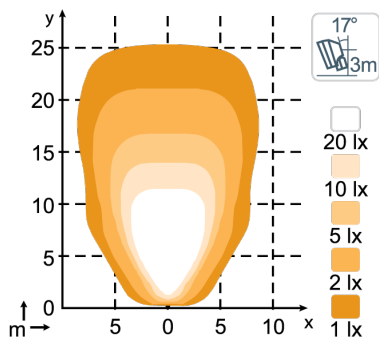
Built-in Deutsch DT-2 (2-pin)

KEY FEATURES

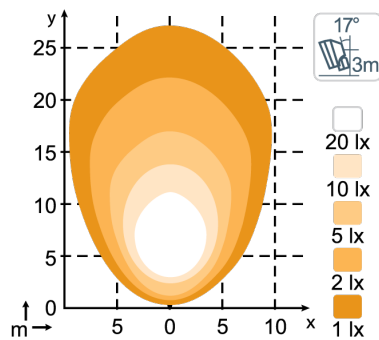
- Vibration- and shockresistant
- Operational lumens output: 4400lm
- For harsh conditions

LIGHT PATTERNS

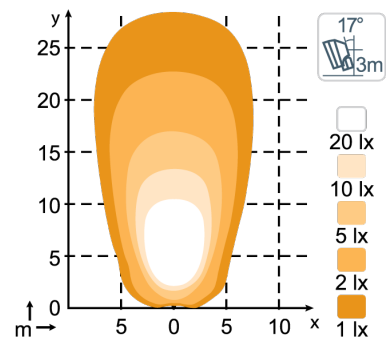
SCORPIUS PRO 445, 4400lm
Wide Flood (Asymmetric)



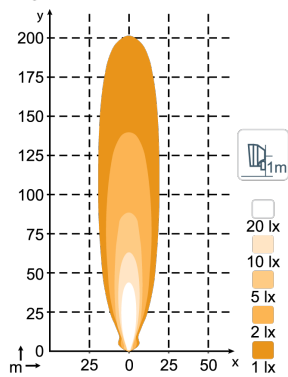
SCORPIUS PRO 445, 4400lm
Wide Flood (Symmetric)



SCORPIUS PRO 445, 4400lm
Flood



SCORPIUS PRO 445, 4400lm
High beam



DRAWINGS

