

# ED6

## 6-LED NARROW PROFILE LIGHTHEAD

### EDGE DAGGER



Smoked Lens



Clear Lens



**Dual Color**

**Single Color**

## FEATURES

- An ideal solution for limited space: 13 mm (0.51") in height and 85 mm (3.35") in length.
- Smoked lens provide less conspicuous appearance and smooth aesthetic for modern vehicles.
- Universal Multi-angle Brackets, mounting virtually anywhere.
- Optional Adjustable Bracket with for hood mount application.
- ECE R65 Class 2 (single color) and ECE R65 Class 1 (dual color) homologated light performance. Documentation available upon request.
- Independent Cruise Mode in calmly steady-burn.
- ECE R10 EMC Compliance.
- Multi-unit synchronization in simultaneous or alternating flash.
- Reverse polarity protection.
- Weatherproof and vibration resistant design for external use.

## SPECIFICATIONS

**Compliance:** ECE R65 XA2 / XB2 / XR2 (Single Color/ Clear Lens);  
ECE R65 XA1 / XB1 / XR1 (Dual Color/ Clear Lens);  
ECE R65 XA1 / XB1 / XR1 **NEW!** (Single Color/ Smoked Lens);  
ECE R10;  
SAE J595 Class1; CA Title 13;  
IPX8

**LED Elements:** High-power LED x 6 pcs

**No. of Warning Patterns:** 28 for Dual Color; 18 for Single Color

**Operating Voltage:** 12~24VDC

**Average Current:** 0.6A @12VDC / 0.3A @24VDC, Single Color  
0.3A @12VDC / 0.15A @24VDC, Dual Color  
(varies with flash pattern)

**Max. Current:** 1.2A @12VDC / 0.6A @24VDC, Single Color  
0.6A @12VDC / 0.3A @24VDC, Dual Color

**Average Power:** 7.2W, Single Color  
3.6W, Dual Color  
(varies with flash pattern)

**Max. Power:** 14.4W, Single Color  
7.2W, Dual Color

**Wires:** Red - 20cm (24AWG)  
Black - 20cm (24AWG)  
White - 20cm (24AWG)  
Green - 20cm (24AWG)  
Yellow - 20cm (24AWG)

**Fuse Rating:** 2A for Single Color; 1A for Dual Color

**Synchronization:** up to 20 units

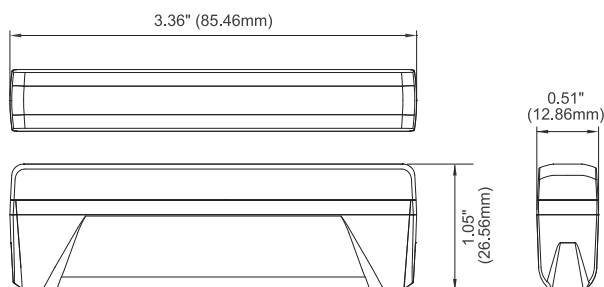
**LED Color:** Red, Blue, Green, Amber, White

**Lens Color:** Clear, Smoked

**Storage Temp. :** -40°C to +75°C

**Working Temp. :** -40°C to +65°C

## DIMENSIONS



## FLASH PATTERN

Flash Pattern		
1	Double	[2Hz]
2	Single	[2Hz]
3	Triple	[2Hz]
4	Quad	[2Hz]
5	Random	
6	Steady EF*	
7	Single	[SAE/CA13]
8	Double	[SAE]
9	Triple	[SAE]
10	Quad	[SAE]
11	Quint	[SAE]
12	Mega	
13	Giga	
14	Ultra	[SAE]
15	Single-Quad	
16	Single H/L	
17	Single-Triple-Quint	
18	Steady Scene	
19	Single-Single	
20	Double-Double	
21	Triple-Triple Mid	
22	Triple-Triple Fast	
23	Quint-Triple	
24	7-1 Flash	
25	7-1 Flash #	
26	Quad-Single	
27	Quad-Single #	
28	Quint-Quint	

FP#19~28 available on dual color models only.

\* For use with external flash controller.

# Inverted color mode.

## PART NO.

### ▼ Single Color

#### Clear Lens

- M077-x013A-000 (Amber)
- M077-x013B-000 (Blue)
- M077-x013R-000 (Red)
- M077-x013G-000 (Green)\*
- M077-x013W-000 (White)\*

#### Replace x for Compliance:

- 1 = SAE
- 3 = ECE R10
- 4 = ECE R10 & ECE R65 Class 2
- \* Non-compliance with ECE R65

#### Smoked Lens

- M077-5013A-000 (ECE R10 & R65 Class 1, Amber)
- M077-5013B-000 (ECE R10 & R65 Class 1, Blue)
- M077-5013R-000 (ECE R10 & R65 Class 1, Red) **NEW!**
- M077-6013W-000 (ECE R10, White)

### ▼ Dual Color

- M077-x013y-000 (Clear Lens)

#### Replace x for Compliance:

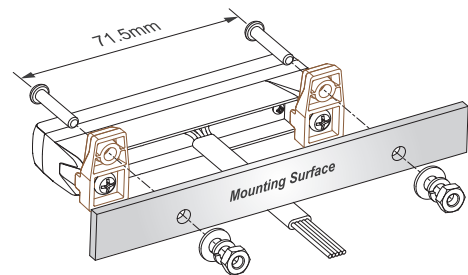
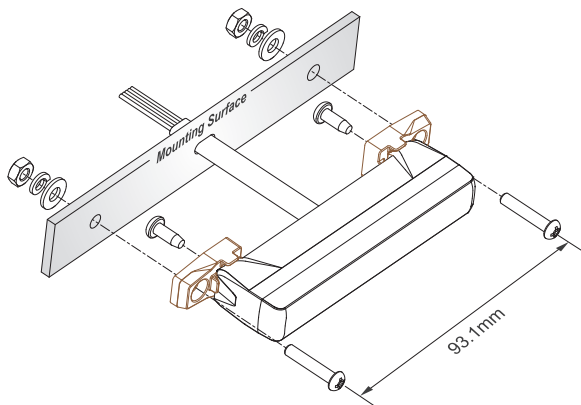
- 1 = SAE
- 2 = ECE R65 Class 1

#### Replace y for color:

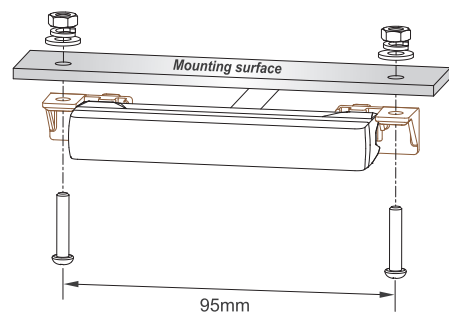
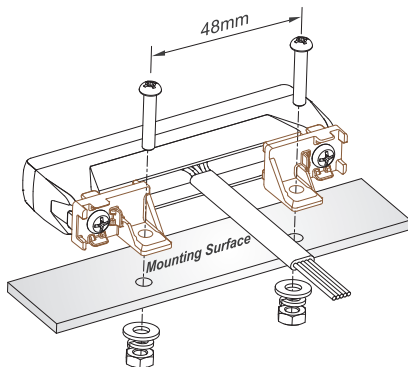
- K = Amber/White
- D = Blue/Amber
- Q = Red/Blue
- M = Green/Amber \*
- T = Blue/White
- J = Red/Amber
- U = Red/White
- \* MOQ = 50 pcs

## INCLUDED MOUNTING BRACKETS

### Universal Bracket (Multi-Angle)



### L-Bracket (Front / Rear)



## OPTIONAL ACCESSORY

### ADJUSTABLE BRACKET

(99-M077M00-000)

