

# UNDERCOVER LED KIT USER MANUAL

## CONTENTS

**6LED KIT**  
w/ Split Color

LIGHTHEAD x 2pcs



EXTENSION CABLE



FLASHER & CABLE



FLANGE OPTION x 2pcs



## LIGHT ASSEMBLY INSTALLATION

1. Remove the Corner/Head/Tail light from vehicle.
2. Select location to mount lighthouse.
3. Drill 1 inch diameter hole to the light assembly.
4. Insert lighthouse into hole.
5. Apply silicone (user-supplied) for better fit.

**WARNING:** Do NOT cover heat sink with silicone. It may cause damage to the product and void warranty.

## OPERATIONS

To +VDC (fuse @2A) for Color1 activation.....**RED**

To Chassis Ground.....**BLACK**

To +VDC (fuse @2A) for Color2 activation.....**WHITE**

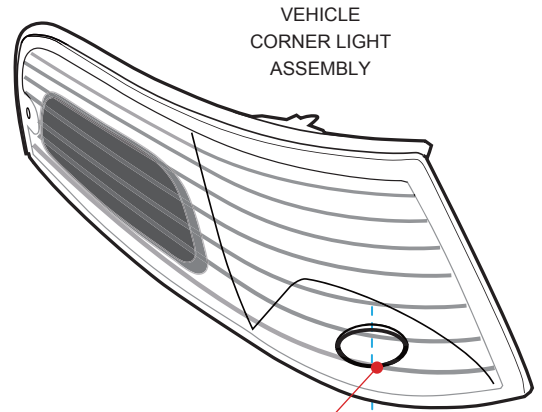
For Synchronization & Flash Patterns.....**YELLOW**

Connect YELLOW wires of all Kits together for synchronization

\*All kits must be set at the same pattern

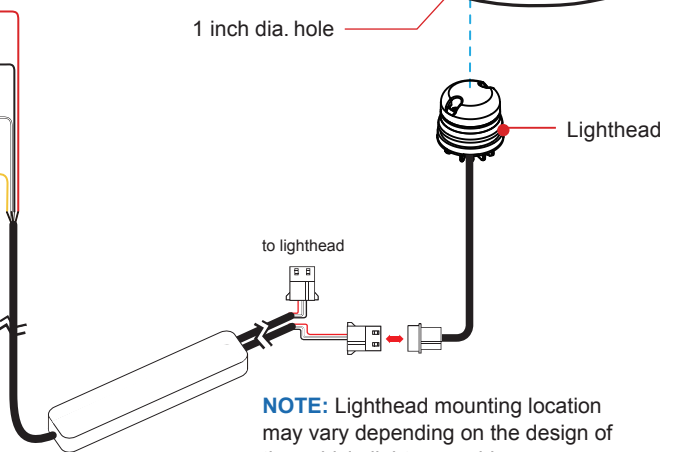
For Simultaneous or Split Flash (single head):

1. Apply +VDC to RED and YELLOW wires simultaneously to enter Mode selection; lighthouse will display single flash.
2. Remove YELLOW wire from +VDC and momentarily apply to +VDC to change Mode: Mode1 = Simultaneous Flash, Color1 and Color2 LEDs flash together.  
(default)  
Mode2 = Split Flash, Color1 LEDs alternate with Color2 LEDs.



1 inch dia. hole

Lighthouse



to lighthouse

**NOTE:** Lighthouse mounting location may vary depending on the design of the vehicle light assembly.

Mode1 (Simultaneous Flash) (Suitable for Single-Color Heads)		Flash	Head1		Head2	
Flash Patterns #1~9	Color1		Color2	Color1	Color2	
Flash Patterns #1~9 <i>Color1 &amp; 2 flash together, Head1 alternate Head2</i>	1st	on	on	off	off	
	2nd	off	off	on	on	
Flash Patterns #10~17 <i>Color1 &amp; 2 flash together, Head1 &amp; 2 flash together</i>	1st	on	on	on	on	
	2nd	off	off	off	off	
Flash Pattern #18 <i>Steady Half</i>	1st	on	on	on	on	
	2nd	on	on	off	off	

Mode2 (Split Flash) (Suitable for Split-Color Heads)		Flash	Head1		Head2	
Flash Patterns #1~9	Color1		Color2	Color1	Color2	
Flash Patterns #1~9 <i>Color1 alternate Color2</i>	1st	on	off	off	on	
	2nd	off	on	on	off	
Flash Patterns #10~17 <i>Color1 flash together, Color2 flash together</i>	1st	on	off	on	off	
	2nd	off	on	off	on	
Flash Pattern #18 <i>Steady Half</i>	1st	on	on	on	on	
	2nd	on	off	on	off	

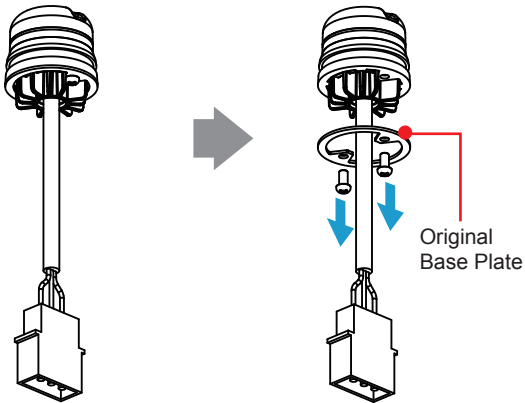
For Flash Pattern change, momentarily apply +VDC to **YELLOW** wire: once for next pattern, quickly three times for reset

Flash Patterns			
1	Random	11	Double (all)
2	Single (split)	12	Quad (all)
3	Double (split)	13	Quint (all)
4	Quad (split)	14	Mega (all)
5	Quint (split)	15	Ultra (all)
6	Mega (split)	16	Single-Quad (all)
7	Ultra (split)	17	Single H/L (all)
8	Single-Quad (split)	18	Steady Half
9	Single H/L (split)	19	Steady All
10	Single (all)		

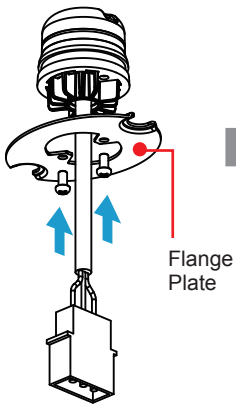
**NOTE:** This unit may not be factory set at FP# 1.

# FLANGE MOUNT INSTALLATION (for kits with Flange option only)

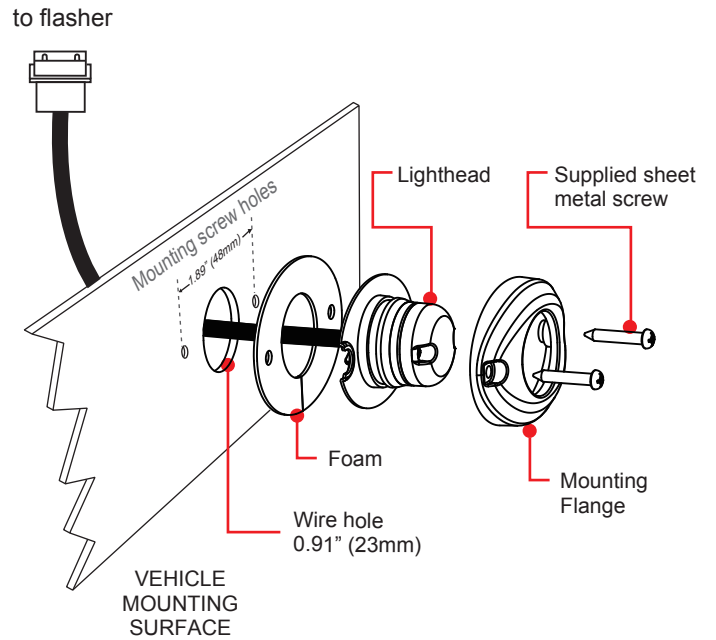
1. Remove Original Base Plate from lighthead base.



2. Secure Flange Plate to lighthead base with screws.



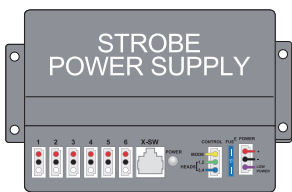
3. Use mounting flange to mark wire and screws holes to drill.
4. Drill marked holes accordingly.
5. Insert lighthead pigtail into wire hole.
6. Place foam, lighthead, and flange in line with the mounting holes, and secure with supplied sheet metal screws.



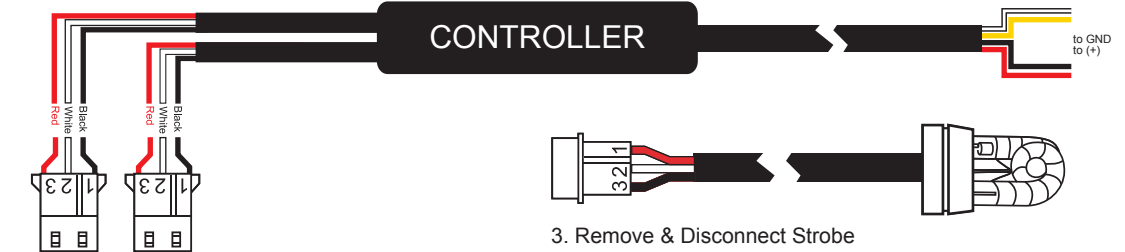
**WARNING:** Make sure to use the foams when mounting lighthead.

## WIRING TO EXISTING STROBE CABLES

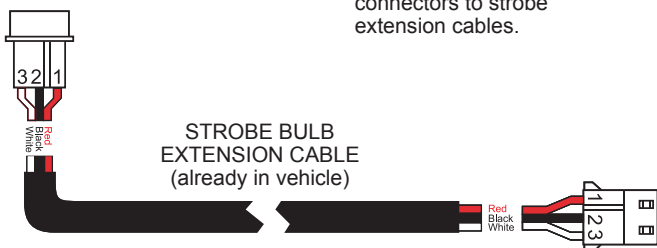
In this configuration, existing strobe extension cables are used to facilitate installation.



1. Disconnect strobe extension cables from strobe power supply.



2. Connect LED Kit connectors to strobe extension cables.



**NOTE:** Wire colors of LED Kit do not need to match wire colors of extension cables.



3. Remove & Disconnect Strobe bulbs from extension cables.



4. Insert & Connect LED Lighthead to strobe extension cables.

**WARNING:** Do not connect LED lighthead directly to strobe power supply. It will cause damage and void the warranty.