



12~24VDC

## 6-LED NARROW PROFILE LIGHTHEAD



### FEATURES

- 0.62"(15.79mm) Narrow profile with remarkable Class 1 output in Horizontal or Vertical mount.
- Universal Multi-Angle Bracket, mounting virtually anywhere.
- Brand-new unique optical design for efficient and powerful output.
- ECE R10 EMC Compliance.
- Long life LEDs rated to 100,000 hours of operation.
- Non-volatile memory recalls last flash pattern used at power up.
- Multi-units synchronization in simultaneous or alternating flash.
- Reverse polarity protection.
- Weatherproof and vibration resistant design for internal or external use.
- Solid aluminium housing for efficient heat dissipation and maximum durability.

### SPECIFICATIONS

**Compliance:** ECE R65 (XA1, XB1, XR1); ECE R10; SAE J595 Class1; CA Title 13; IPX8

**LED Elements:** High-power LED x 6pcs

**No. of Warning Patterns:** 23

**Operating Voltage:** 12~24VDC

**Average Current:** 0.57A @12VDC / 0.29A @24VDC (varies with flash pattern)

**Max. Current:** 1.14A @12VDC / 0.57A @24VDC

**Average Power:** 6.85 Watts (varies with flash pattern)

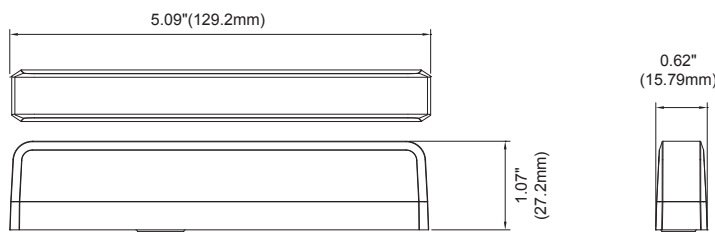
**Max. Power:** 13.7 Watts

**Wires:** Red-Vcc : 25cm (20AWG)  
Black-GND : 25cm (20AWG)  
Yellow-Sync & Functions : 25cm (20AWG)

**Fuse Rating:** 2A

**LED Colour:** RED , BLUE , AMBER , WHITE

### DIMENSIONS



### FLASH PATTERN

Flash Patterns				
1	Double	[R65]*	13	Single H/L (split)
2	Single	[2Hz]	14	Single [SAE/CA13]
3	Triple	[2Hz]	15	Double [SAE]
4	Quad	[2Hz]	16	Quad [SAE]
5	Random		17	Quint [SAE]
6	Single	(split)	18	Mega
7	Double	(split)	19	Ultra [SAE]
8	Quad	(split)	20	Single-Quad
9	Quint	(split)	21	Single H/L
10	Mega	(split)	22	Steady Half
11	Ultra	(split)	23	Steady All
12	Single-Quad	(split)		

\*Actual approval will base on the model ordered.  
split = Left alternating Right

### PART NO.

#### ECE R65 / R10

##### Horizontal Mount

- M059-2023B-00R (BLUE)
- M059-2023C-00R (AMBER)
- M059-2023R-00R (RED)
- M059-3023W-00R (WHITE)\*\*

##### Vertical Mount

- M059-2123B-00R (BLUE)
- M059-2123C-00R (AMBER)
- M059-3123R-00R (RED)\*\*
- M059-3123W-00R (WHITE)\*\*

#### SAE

##### Horizontal Mount

- M059-1023B-00R (BLUE)
- M059-1023C-00R (AMBER)
- M059-1023R-00R (RED)
- M059-1023W-00R (WHITE)

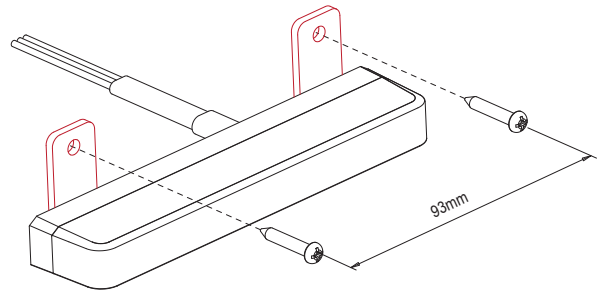
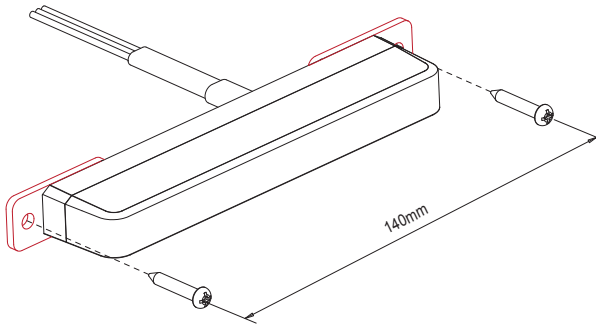
##### Vertical Mount

- M059-1123B-00R (BLUE)
- M059-1123C-00R (AMBER)
- M059-1123R-00R (RED)
- M059-1123W-00R (WHITE)

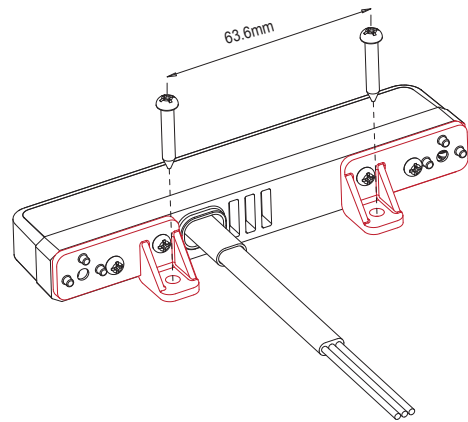
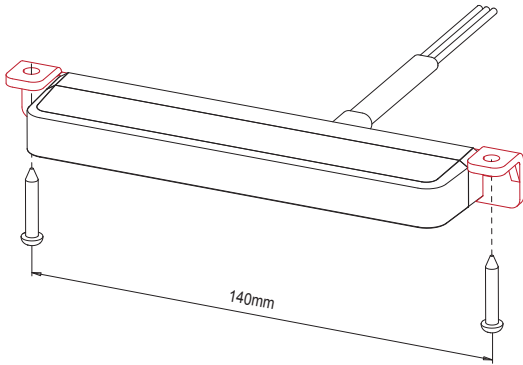
**Note:** \*\* w/ ECE R10 only

# INCLUDED MOUNTING BRACKETS

## Universal Bracket (Multi-Angle)



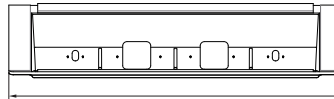
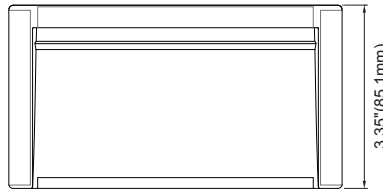
## L-Bracket (Front / Rear)



# OPTIONAL ACCESSORY

## Standard Windshield Shroud Kit

99-M059M02-000



## High Gradient Windshield Shroud Kit

99-M059M05-000

