

# DIAMONDBACK

## R65 MINIBAR



### FEATURES

- Multi-Voltage Input 12-24VDC.
- High Intensity LED x 24pcs.
- Built-in 23 Selectable Flash Patterns.
- Magnetic mount comes with Dual button cigar-plug.
- LEDs rated to 100,000 hours of operation.
- Non-volatile memory recalls last flash pattern used at power up.
- Low power function for night time use.
- Water and vibration resistant design.
- Reverse polarity protection.
- Multiple units can be synchronized.
- Available in permanent and magnetic mount versions.

### SPECIFICATIONS

**Meets:** ECE R65 (TA1, TB1), ECE R10-04, SAE J845 Class1

**LED Elements:** High Intensity LED x 24pcs

**Warning Patterns:** 23 Flash Patterns

**Operating Voltage:** 12-24VDC

**Avg. Current:** 2.88A @12VDC / 1.44A @24VDC  
(varies with flash pattern)

**Avg. Power:** 34.5 Watts (varies with flash pattern)

**Max. Current:** 5.75A @12VDC / 2.88A @24VDC

**Max. Power:** 69 Watts

**Wires: Magnet Mount**

- Dual button cigar-plug: 300cm

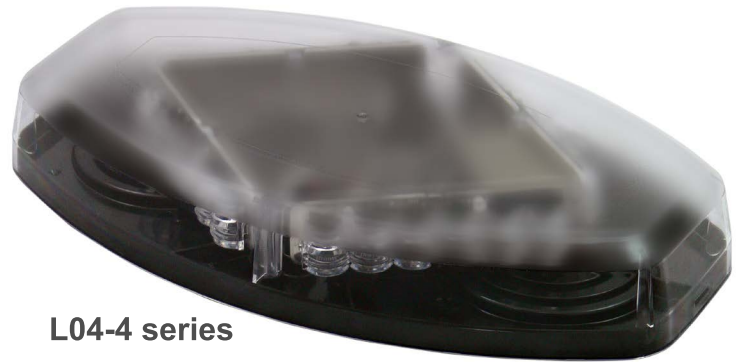
**Permanent Mount**

- Red-Vcc: 30cm (18AWG)
- Black-GND: 30cm (18AWG)
- Blue-Flash Patterns & Sync: 30cm (18AWG)

**Fuse Rating:** 8 Amps

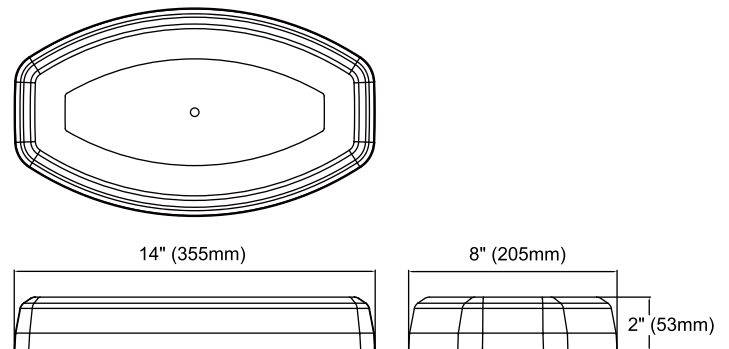
**LED Colour:** Amber, Blue

**Lens Colour:** Amber, Clear



L04-4 series

### DIMENSIONS



### PART NO.

- **L004-41W3x-000** (2-Bolt Mount, 3-Wire Cable)
- **L004-42Q3x-000** (2-Vacuum Magnet, 2-Button Cigar Plug)
- **L004-43W3x-000** (1-Bolt Mount, 3-Wire Cable)

replace x for colour:

A = Amber LED, Clear Lens

B = Blue LED, Clear Lens

1 = Amber LED, Amber Lens

### FLASH PATTERN

FP#	Flash Patterns		
1	Random	13	Quint (all)
2	Single (split)	14	Mega (all)
3	Double (split)	15	Ultra (all)
4	Quad (split)	16	Single-Quad (all)
5	Quint (split)	17	Single H/L (all)
6	Mega (split)	18	Steady (half)
7	Ultra (split)	19	Steady (all)
8	Single-Quad (split)	20	Single (2Hz)
9	Single H/L (split)	21	Double (2Hz)
10	Single (all)	22	Triple (2Hz)
11	Double (all)	23	Quad (2Hz)
12	Quad (all)		

\*This unit is not factory set at FP#1