

# PHOTON

## PHOTON-8H TRAFFIC WARNING LIGHT



### FEATURES

- EN12352 L8H certified high power warning output.
- Low AMP-drawing 1 LED design.
- Precision optics design for even and seamless light output
- Choice of clear or amber lens.
- Self-contained flasher; optional external flasher control ready.
- Auto-dim function w/ photocell.
- Smart designed for easy clip mount or surface mount installation.
- Weatherproof and vibration resistant design for harsh work environment.
- Multi-units synchronization in simultaneous or alternating flash.
- Reverse polarity protection.

### SPECIFICATIONS

**Compliance:** EN12352 L8H (P1;C1;R0;A0;I0;F3;O1;M3;T2;S0)  
ECE R10; IPX6; WEEE

**Luminous intensity :** 2200 cd

**Operating Voltage:** 12~24VDC

**Warning Patterns:** Steady or Single Flash

**LED Elements:** High power LED x 1 pc

**Average Current (day/night):** 0.16A / 0.06A@12V  
0.08A / 0.028A @24V

**Max. Current (day/night):** 0.32A / 0.12A @12V  
0.16A / 0.06A @24V

**Average Power (day/night):** 1.92W / 0.72W

**Max. Power (day/night) :** 3.84W / 1.44W

**Wires:** Red-Vcc: 25cm (20AWG)

Black-GND: 25cm (20AWG)

Yellow-Flash Patterns & Sync: 25cm (20AWG)

**Synchronization:** up to 20 units

**Fuse Rating:** 1A

**Storage Temp.:** -40°C~75°C

**Working Temp.:** -40°C~65°C

**LED Colour:** Amber or White

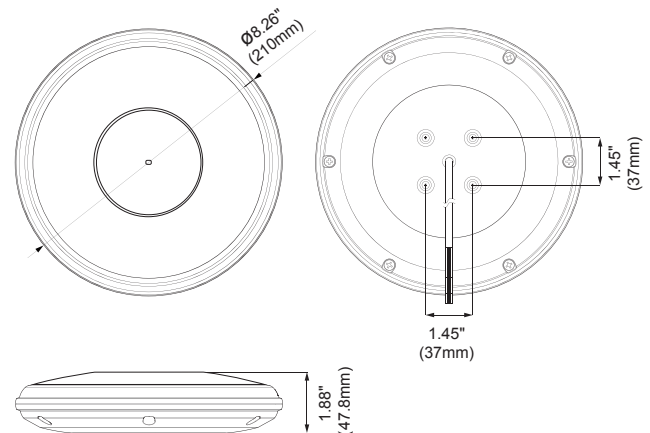
**Lens Colour:** Amber or Clear

**Lens Material:** Polycarbonate

**Weight :** 0.437kg



### DIMENSIONS



### FLASH PATTERN

	Warning Flash Pattern	Power Consumption	Flash Frequency
1	Steady		
2	Single (1Hz) Auto-dim Enable	3.85 Ah/day	60 FPM
3	Single (1Hz) Auto-dim Disable	-	60 FPM

### PART NO.

- 1603-300654: Warning Light w/ White LED / Amber lens
- 1603-300655: Warning Light w/ Amber LED / Clear lens
- 1603-300656: U-bolt clamp mount w/ Rubber rise block