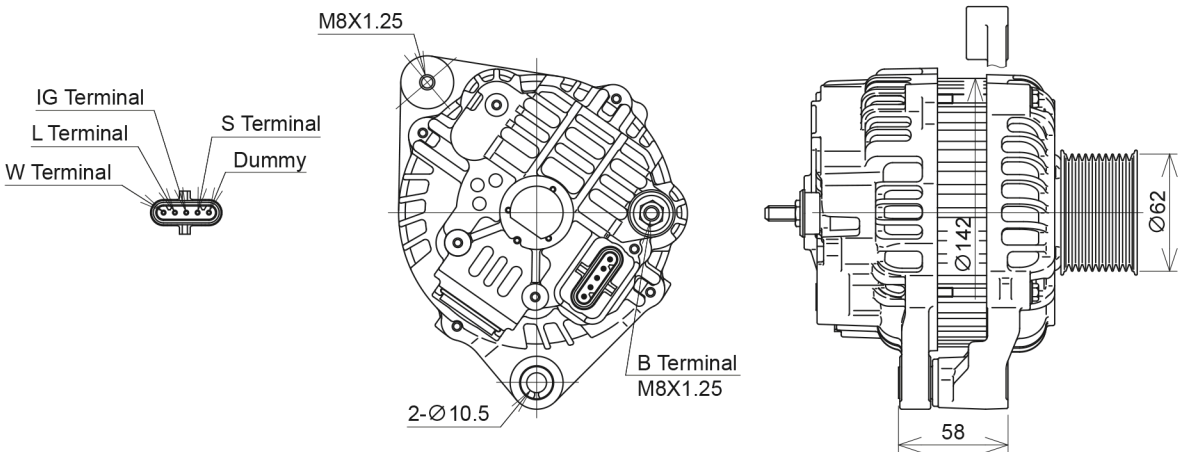


H/D ALTERNATOR

IAM Part Number	MELCO Product Number	Replaced Model	OE Maker
A4TR5791AM	A004TR5791ZT9DM	A004TR5791ZT	FPT INDUSTRIAL (IVECO)

(External dimensions)



Specifications	
Type/Series	L3B
Volt (V)	24
Nominal Output (A)	120
Diameter (mm)	142
Mass (kg)	7
Rotation from Pulley	CLOCKWISE
Start of Production (Date)	2008
Applications	
Car Name	BUS
Engine	CURSOR 8