

# HEAVY DUTY LIGHTS / PICTOR 620

## KEY FEATURES

The Nordic PICTOR 620 work light is a low-profile LED work lamp for surface mount on the application body.

The work light offers a good lighting solution especially i.e. mounted on booms. A solid construction for hard work.

**Operating temperatures:** -40°C... +85°C

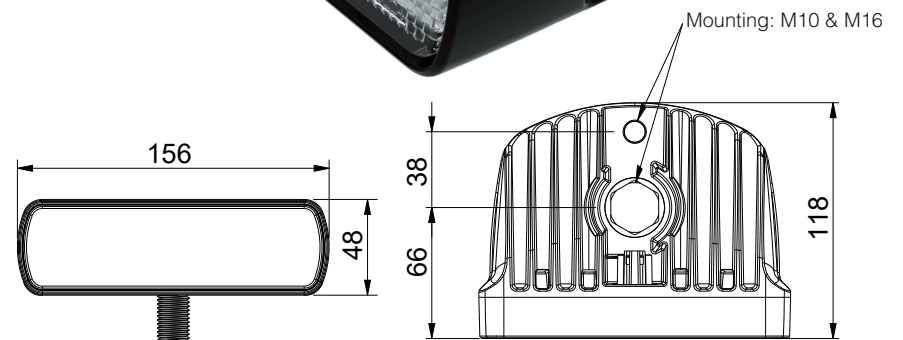
**IP rating:** IP68, IP6K9K

**Salt mist:** ISO 9227 240 h

**Shock:** 60 G

**Vibration:** 15.3 Grms

**Weight:** 0.7 kg



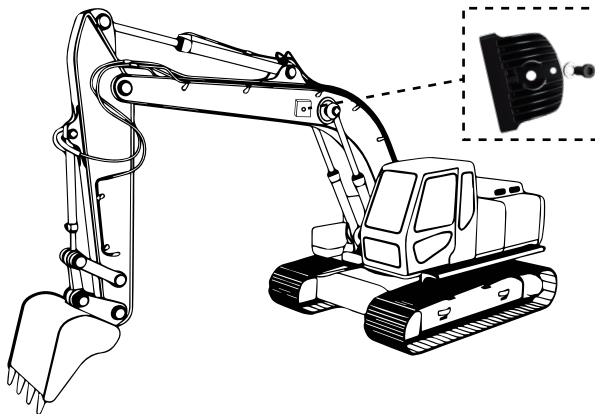
# SPECIFICATIONS



## TECHNICAL SPECIFICATIONS

## PICTOR 620

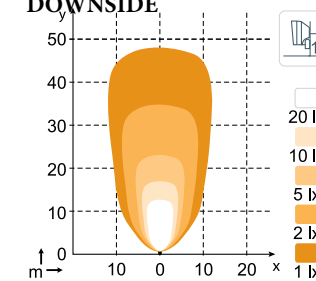
Theoretical / Operational Lumens Output:	2700lm / 1800lm
Colour Temperature:	5000 K
Nominal / Input Voltage DC:	12, 24V / 9-16, 18-32V
Power Consumption:	28 W
Nominal Current:	12V=2.0A / 24V=1.0A
Mount:	M10 & M16
Connector:	Built-in Deutsch 2-pin
EMC:	CISPR 25 Class 5, ISO 14982, ISO 13766, ISO 13309, ISO 11452-2, ISO 7637-2, EN 61000-4-2, ISO 14982, EN 12985
Electronics:	Integrated
Shock:	60 G
Vibration:	15.3 Grms 24-2000 Hz
Lens:	Grilamid® (registered trademark of EMS-GRIVORY)
IP Rating:	IP68, IP6K9K
Weight:	0.7 kg
Operating Temperatures:	-40°C... +85°C (Overheat protected)



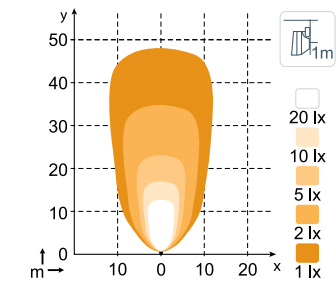
Application example. (LH US + RH US)

## LIGHT PATTERNS

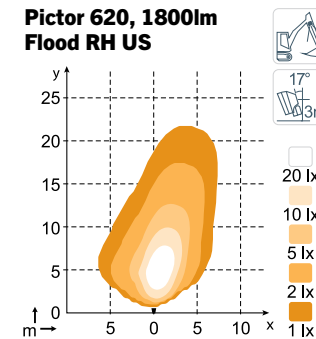
### PICTOR 620, 1800lm Flood TT DOWNSIDE



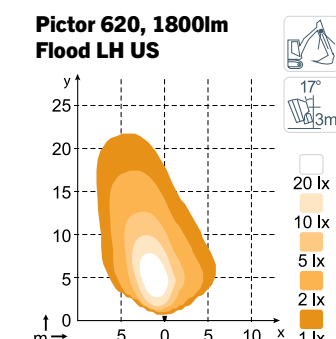
### PICTOR 620, 1800lm Flood TD UPSIDE



### PICTOR 620, 1800lm Flood RH US



### PICTOR 620, 1800lm Flood LH US



## ALTERNATIVES

TT DS (Top Top)  
Lightpattern: Downside



1605-987203B/987205B

TD US (Top Down)  
Lightpattern: Upside



1605-987201B/984204B