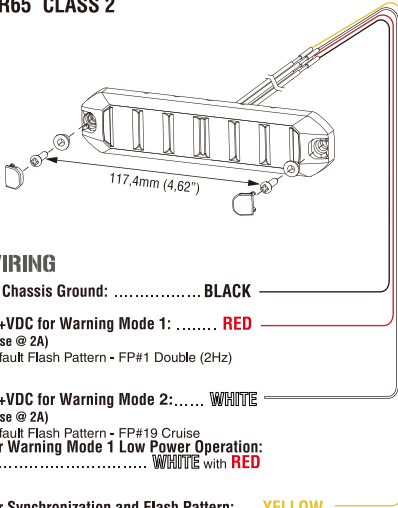


1603-300758, 1603-300759, 1603-300760

FLEX LM6

FLEXIBLE WARNING LIGHTHEAD
R65 CLASS 2



WIRING

To Chassis Ground: **BLACK**

To +VDC for Warning Mode 1: **RED**

(Fuse @ 2A)

Default Flash Pattern - FP#1 Double (2Hz)

To +VDC for Warning Mode 2: **WHITE**

(Fuse @ 2A)

Default Flash Pattern - FP#19 Cruise

For Warning Mode 1 Low Power Operation:

..... **WHITE** with **RED**

For Synchronization and Flash Pattern: **YELLOW**

Connect **YELLOW** wires of all lightheads together for synchronization.
(All lightheads should be set to the same Flash Pattern)

OPERATION

For Flash Pattern Selection:

Each Warning Mode may select and save one Flash Pattern. While activating a Warning Mode, momentarily apply **YELLOW** wire to +VDC:

- Once for the next pattern
- Quick three times to Warning Mode together.
(Refer to Flash Pattern Chart.)

Setting Mode

The following settings will require user to enter SETTING MODE to operate:

1. Power off the unit completely and power up by applying +VDC to **RED** (or **WHITE** or **RED-WHITE**) and **YELLOW** wires simultaneously.
2. Remove **YELLOW** wire from +VDC to enter SETTING MODE. Lighthead will then flash in low-power while in SETTING MODE.
3. To save and exit the setting, simply disconnect the power after operation.

For Simultaneous or Alternating Synchronization:

To change Group, while in setting mode, momentarily apply **YELLOW** wire to +VDC (for <5 seconds). The Lighthead will display short flashes:

- | | |
|--------------------------|--------------------------|
| <i>Simultaneously</i> | <i>Alternately</i> |
| • Single Flash = Group 1 | • Double Flash = Group 2 |

- Lightheads of the same Group will flash together.
 - Lightheads of the Group 1 & 2 will flash alternately.
- Note: Each Warning Mode may set to its own Group.

Reset to Factory Default Settings:

While in setting mode, apply **YELLOW** wire to +VDC for more than 5 seconds. The lighthead will display fast short flashes to signify restoring successfully.

| FLASH PATTERN | |
|---------------|---------------------|
| 1 | Double [2Hz] |
| 2 | Single [2Hz] |
| 3 | Triple [2Hz] |
| 4 | Quad [2Hz] |
| 5 | Random |
| 7 | Single [SAE][CA13] |
| 8 | Double [SAE] |
| 9 | Triple [SAE] |
| 10 | Quad [SAE] |
| 11 | Quint [SAE] |
| 12 | Mega [SAE] |
| 13 | Giga [SAE] |
| 14 | Ultra [SAE] |
| 15 | Single-Quad |
| 16 | Singe Hi/L |
| 17 | Single-Triple-Quint |
| 18 | Steady Scene |
| 19 | Cruise |
| 20 | Sweep Single TA |



NO PULLING



NO BENDING INWARDS



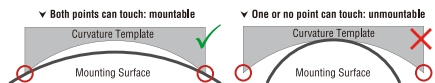
NO WARPING



NO BENDING OVER 120°

INSTALLATION

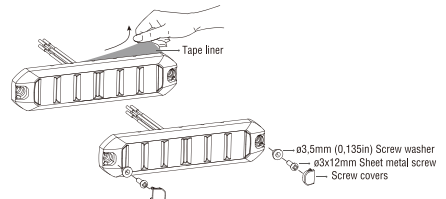
1. **CURVED SURFACE:** Use curvature template to check surface mountability: make sure surface curvature is over 120 degree.



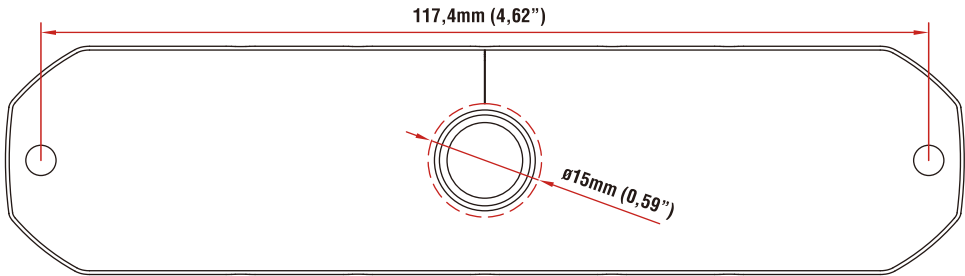
2. Mark and drill a wire passage hole on the mounting surface. Make sure no vehicle parts could be damaged by the drilling process. (Thoroughly deburr hole and use grommet for wire passage hole if needed).
3. Clean and dry the mounting surface with alcohol prep pad provided. (or 50:50 mix of isopropyl alcohol and water)
4. Remove the tape liner from the tape and apply the lighthead to the surface and press it firmly for 30 seconds. Full adhesion and bonding will be achieved after 72 hours at room temperature.
5. **FLAT SURFACE:** For best secure installation, it is recommended to always mount lightheads with screws. **CURVED SURFACE:** Due to lighthead tension, it is requires to always mount lightheads with screws in curved surface.
6. Once secured, apply screw covers onto the lighthead for best aesthetic. Use silicon glue to better secure the screw cover.

DISPOSAL

Dispose the electrical devices in an environmentally responsible manner. Do not dispose of electrical devices with household waste. According to European Directive 2012/19/EU regarding electrical and electronic equipment, used electrical devices should be collected separately and sent for environmentally friendly recycling. For information on recycling options, contact your local authorities.

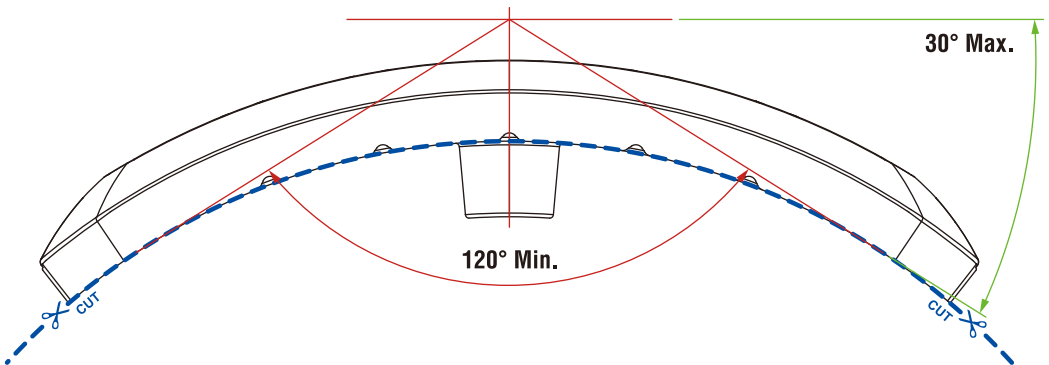


MOUNTING DIMENSIONS



1:1 TEMPLATE

CURVATURE TEMPLATE



1603-300758, 1603-300759, 1603-300760

FLEX LM6

1:1 TEMPLATE