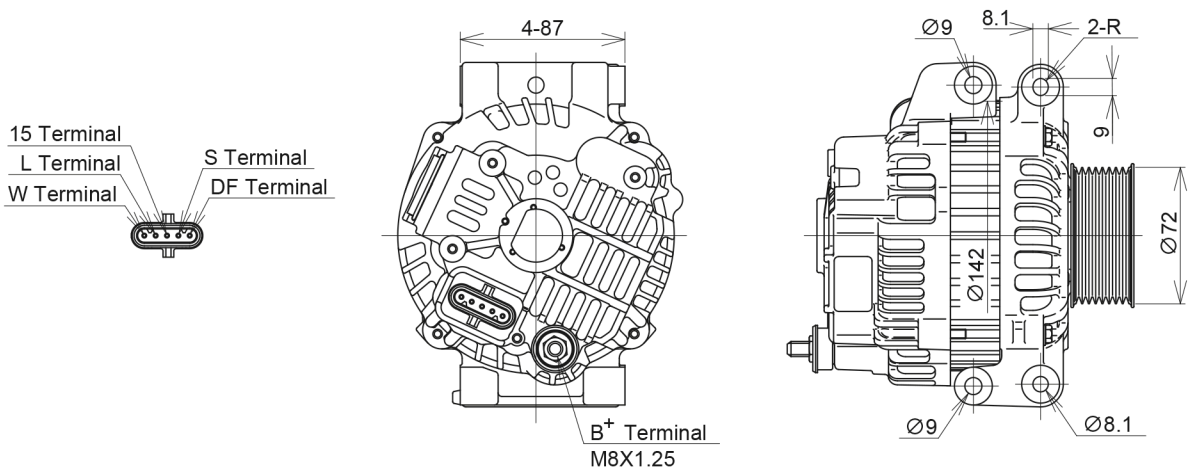


H/D ALTERNATOR

IAM Part Number	MELCO Product Number	Replaced Model	OE Maker
A4TR5693AM	A004TR5693ZT9DM	A004TR5491AT	SCANIA
		A004TR5491ZT	
		A004TR5693ZT	

(External dimensions)



Specifications	
Type/Series	L3B
Volt (V)	24
Nominal Output (A)	100
Diameter (mm)	142
Mass (kg)	7.3
Rotation from Pulley	CLOCKWISE
Start of Production (Date)	2006
Applications	
Car Name	BUS
Engine	D9,D12,D16