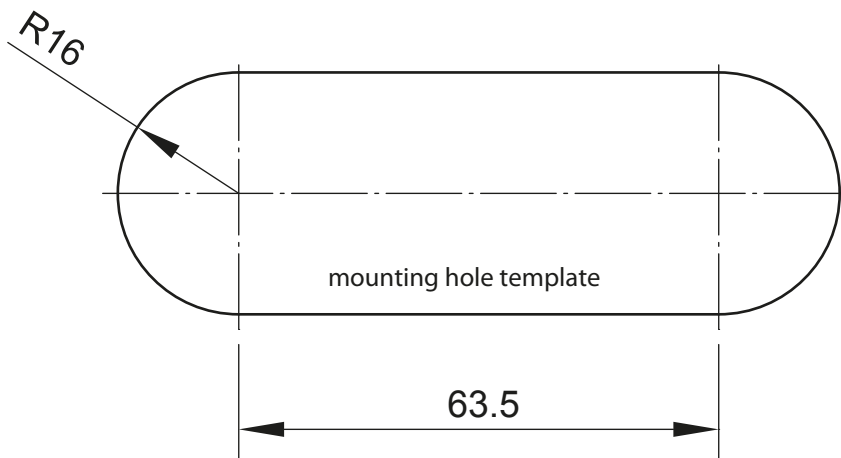
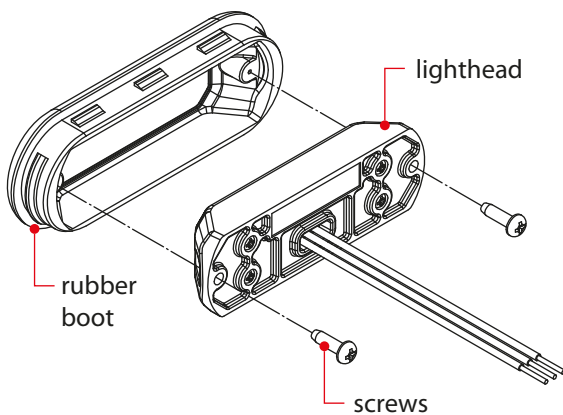


# MS3BS Rubber Boot manual

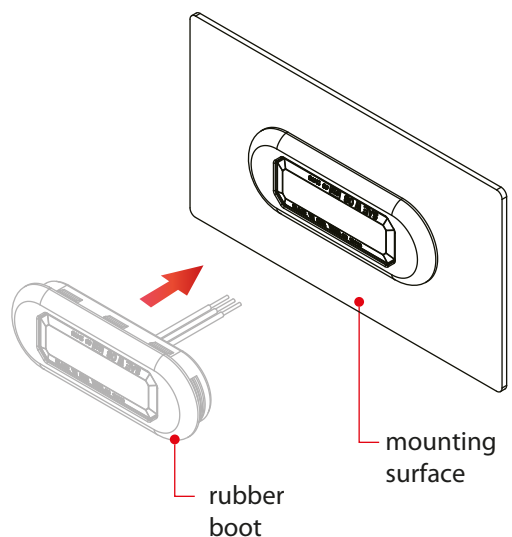
1. Use template to mark mounting hole, and drill accordingly. (dimensions in mm)



2. Insert lighthouse to rubber boot, and secure lighthouse with supplied screws.



3. Insert assembled rubber boot into mounting hole, and ensure that it is leveled with the mounting surface.



**STARTAX**<sub>oy</sub>

Auto-Electronics Oy  
Kannistontie 138, 33880 Lempäälä  
puh (03) 275 050, fax (03) 275 0555  
startax@startax.net  
[www.startax.net](http://www.startax.net)