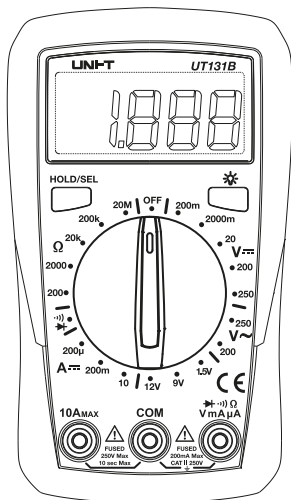


UNI-T UT131B Multimeter

Multimeter UNI-T UT131B

UNI-T UT131B multimeter

Yleismittari UNI-T UT131B



Product number

1711-UT131B

UNI-T UT131B Multimeter

1711-UT131B

Please read the entire instruction manual before using the product and then save it for future reference. We reserve the right for any errors in text or images and any necessary changes made to technical data. In the event of technical problems or other queries, please contact our Customer Services (see address details on the back).

Information about the meter

The multimeter has been designed and tested in accordance with the requirements for installation category II up to nominal voltages of 250 V and a contamination level of 2.

Categorisation

Meters are divided into different categories depending on the electrical environment in which they are to be used and how safe/protective they are in the event of a voltage surge.

The meter label should indicate which category it belongs to.

The categorisation also determines how safe the instrument is with regards to any overvoltage which could represent a hazard for the user.

The categorisation is described briefly below:

In the event of a voltage surge in the electricity grid (a transient from a lightning strike, etc.), the risk will be greatest where the mains supply cable enters the building, for example. Further inside the building, the resistance (impedance) in the cables will increase and connected devices will reduce and dissipate the overvoltage. The meter category will therefore determine which electrical environment the instrument is designed to be used in.

The categories which meters are divided into are as follows:

- **Category I:** For measuring electronics and products that have inbuilt protection against voltage surges.
- **Category II:** For measuring single-phase equipment which is fed via the building's electrical power supply system. Both plug-connected and permanently installed.
- **Category III:** For measuring the building's electrical systems. Permanently installed cables, sockets, fuse boxes and switchgear cabinets. Three-phase distribution (all power supply cables and three-phase equipment, machinery and appliances).
- **Category IV:** Three-phase at primary level and all conductors for outdoor use.

This multimeter belongs to installation category II and is intended for measuring voltages of up to 250 V in single-phase products. The meter must not be used for measuring three-phase products, three-phase conductors or switchgear cabinets even if the nominal voltage does not exceed 250 V.

Contamination level

The meter is designed for use in environments in which contaminants which do not conduct electricity are present. With the exception that temporary conductor contamination can occur due to condensation.

Examples of environments with contamination level 2 are home environments in dry rooms, offices, test stations and laboratories. In other words, rooms which have a normal indoor climate.

The meter must not be used or stored in rooms where it could be exposed to electrically conductive contaminants in any form (solid, liquid or gas).

The meter should for example not be exposed to relative humidities in excess of 75% or used in unheated rooms and must not be used in wetrooms or outdoors where it could get wet.

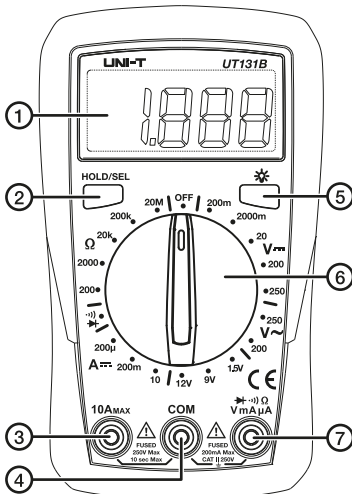
It is not intended for use with electrical equipment which is used in industry or agriculture.

Safety

- This product conforms to the following CE standards: EN 611010-1:2010, EN 61010-2-030:2010, EN 61326:2013, and CAT II: 250 V, Pollution Degree II.
- The product is intended for indoor use only.
- Make sure that the product is used safely by following the safety instructions and operating directions written in this instruction manual.
- The product must never be used if it is in any way damaged or malfunctioning.
- Make sure that your fingers are behind the finger guards when using the test leads.
- Make sure that the power is turned off before working on the power circuit. Even low voltages can be dangerous!
- Do not measure voltages higher than 250 V DC or 250 V AC RMS using this product.
- To avoid shocks you need to be very CAREFUL when you work with voltages higher than 60 V DC or 35 V AC RMS. Voltages higher than this pose a risk of harmful electric shocks.
- Set the right measuring range using the selector before starting to measure and do not change the range whilst taking a measurement.
- Never use the product if the battery cover is missing or the battery compartment is open.
- To avoid electric shocks and damage to the meter, do not exceed the product's overload limits.
- This product is protected by fuses, but they will not protect the meter from all kinds of misuse.
- The product must not be used in humid, explosive or flammable environments or close to strong magnetic fields.
- Replace the battery as soon as the battery warning symbol appears on the display, a low battery can cause an incorrect reading and constitute a safety hazard.
- Neither the product nor its accessories may be dismantled or modified in any way.
- Remove the battery from the meter if it is not to be used for an extended period.
- Turn the product off after use.
- If the product is placed close to a strong magnetic field it might cause incorrect readings which can be corrected by removing the cause of the interference.

Buttons and functions

1. Display
2. [HOLD/SEL] Press this key to hold a reading, to change between diode mode and continuity mode buzzer (yellow symbol).
3. **10A_{MAX}**: connection for red test lead when measuring DC current up to 10 A.
4. **COM**: connection for the black test lead (common).
5. [] Press to switch the backlight on/off. The light goes off automatically after 30 seconds if not switched off.
6. Function selector switch
7. **VmA μ A**: connection for red test lead when measuring voltage, measuring DC current up to 0.2 A, measuring resistance, testing diodes, measuring continuity and measuring temperature.



Display symbols

- The HOLD function is engaged.
- The batteries need to be replaced 2 × AAA/LR03, 1.5 V.
- This symbol appears when the resistor or diode is faulty or the voltage exceeds the range (overload). The symbol might also appear when a measurement is made with reversed polarity.

Instructions for use



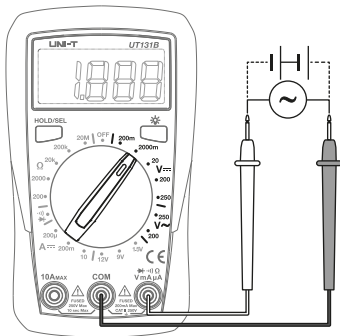
Warning:

- When measuring voltage always ensure that the multimeter is switched to the correct measuring range and not set to the current, resistance or diode test range. Always ensure that you use the correct test lead terminal for the type of measurement to be made.
- Use extreme caution when measuring voltages over 60 V, especially when the object being measured has a high power output.
- Make sure that the object to be measured is not energised (conducting any current) before connecting test leads in series with it (such as when measuring current).
- Make sure that the circuit to be tested is not energised before performing resistance measurements or diode tests.
- Always ensure that the correct function and range is selected. If in doubt about the correct range, start with the highest and work downwards.
- Be extremely cautious when using the multimeter on an inductive component such as a transformer, relay coil and the like. High voltage may be induced at the measuring points if an open circuit occurs.
- Make sure that the test leads are in good condition with no damage to the insulation.
- If you replace the fuse, make sure that it is the correct type and rating.

Voltage measurement

Check the battery status by turning the function selector to a new range. The battery symbol will appear if the battery is low.

1. Connect the black test lead to **COM** and the red lead to **VmA μ A**.
2. Set the function selector to **V \sim** (200/250 V \sim) or **V $\overline{\sim}$** (200 mV – 250 V) and the desired voltage range.

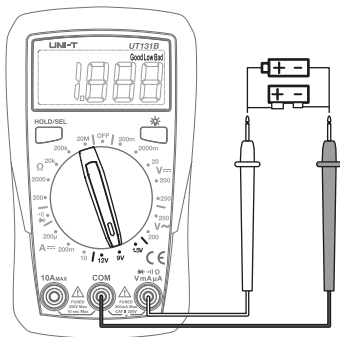


- Connect the test leads across the circuit to be tested.
Read the displayed value.

Note: If the wrong polarity is connected when measuring direct current, a minus sign (–) will be displayed in front of the value.

Battery measurement

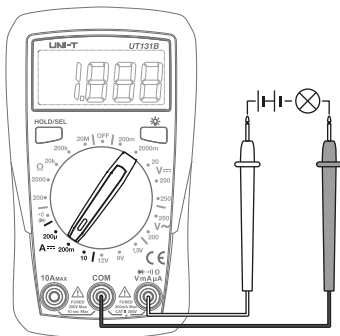
- Connect the black test lead to **COM** and the red lead to **VmA μ A**.
- Set the function selector to **12 V**, **9 V** or **1.5 V** depending on the type of battery you wish to measure.
- The status of the measured battery is described on the display as either *Good*, *Low* or *Bad*:



Battery model	1.5 V	9 V	12 V
Load resistance	30 Ω	900 Ω	60 Ω
Good	≥ 1.31 V	≥ 7.8 V	≥ 10.5 V
Low	0.95–1.31 V	5.7–7.7 V	7.6–10.4 V
Bad	≤ 0.94 V	≤ 5.6 V	≤ 7.5 V

DC current measurement

1. Connect the black test lead to **COM** and the red lead to **VmA μ A** (for measuring 0–200 mA) or to **10A MAX** (for measuring 200 mA – 10 A).
2. Set the function selector switch to **A $\overline{\text{---}}$** .
3. Connect the test leads in series with the load and source of the current to be measured. Read the displayed value.



Warning:


Do not connect the test leads in parallel with the voltage source when measuring voltage!

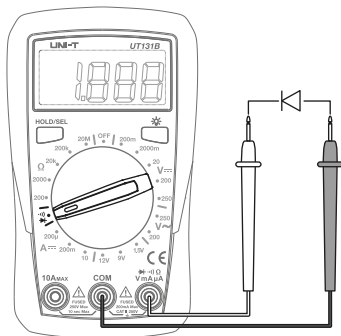
If in doubt about the correct measuring range, start with the highest and work downwards.

When measuring high currents, the multimeter should only be connected briefly (less than 10 seconds for currents greater than 10 A). This is to prevent the shunt inside the instrument from overheating

The interval between two readings must be greater than 15 minutes.

Diode testing

1. Connect the black test lead to **COM** and the red lead to **VmA μ A**.
2. Set the function selector switch to  and press [HOLD/SEL] to measure the threshold value (V) of diodes.
3. Connect the black test lead to the cathode and red test lead to the anode of the diode to be tested. Read the forward voltage drop value from the display. If "OL" appears on the display, reverse the polarity of the diode connections. If that doesn't help, the diode may be faulty.



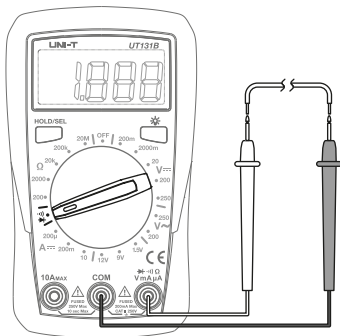
Warning:

Make sure that the circuit to be tested is not energised before you begin to test diodes. Be extremely cautious when using this instrument on an inductive component such as a transformer, relay coil and the like, and make sure it has been discharged beforehand. High voltage may be induced at the measuring points when the circuit is broken.

Note: A good diode should have a forward voltage drop ranging from 0.5 to 0.8 V. However, the reverse voltage drop reading can vary a lot depending on the resistance of other paths of conductance between the tips of the test leads.

Continuity test

1. Connect the black test lead to **COM** and the red lead to **VmA μ A**. Set the function selector switch to **(•|)**.
2. Connect the ends of the test leads to the ends of the cables to be tested.
 - No break in the cable:
The buzzer sounds continuously if the resistance is $\leq 10 \Omega$.
 - A break in the cable:
The buzzer does not sound if the resistance is $>51 \Omega$.



Warning:

Make sure that the circuit to be tested is not energised before testing for continuity.

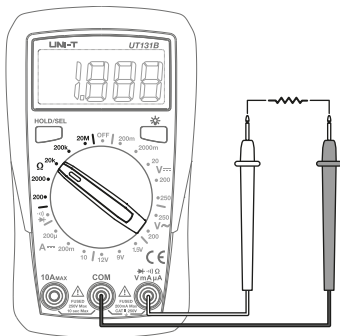
Be extremely cautious when using this instrument on an inductive component such as a transformer, relay coil and the like, and make sure it has been discharged beforehand. High voltage may be induced at the measuring points if an open circuit occurs.

To avoid shocks you need to be CAREFUL when you work with voltages higher than 60 V DC or 30 V AC RMS. Voltages higher than this pose a risk of harmful electric shocks.

Note: The open circuit voltage is around 2.1 V.

Resistance measurement

1. Connect the black test lead to **COM** and the red lead to **VmA μ A**.
2. Set the function selector switch to Ω and the preferred range for measuring resistance.
3. Connect the test leads to the circuit to be tested. Read the displayed value.



Warning: Ensure that the test object is not energised before taking any measurements.

In order to avoid the risk of personal injury, never measure components with a voltage higher than 60 V (DC) or 30 V (AC).

The test leads can add 0.1–0.2 Ω of error to the actual resistance measured. To obtain accurate readings of low-resistance components, short-circuit the input sockets, note the short-circuit value and use that to subtract the lead resistance error from the reading on the display.

If the Ω reading with shorted test leads is higher than 0.5 Ω , check that none of the test leads or connections is loose.

When measuring high resistances (>1 M Ω), it is normal for it to take a few seconds for the reading to stabilise.

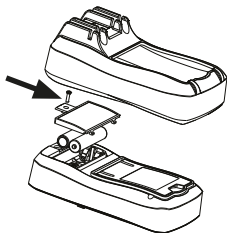
For optimum accuracy, it is best to use test leads of as high quality as possible and which are as short as possible.

Care and maintenance

- Clean the exterior of the multimeter by wiping it with a damp cloth. Use only mild cleaning agents, never solvents or corrosive chemicals.
- Whenever the multimeter is not to be used for an extended period, the battery should be removed and it should be stored in a dry, dust-free environment, out of children's reach.

Changing the battery

1. Disconnect the test leads.
2. Turn the function selector switch to **OFF**.
3. Remove the protective plastic cover.
4. Unscrew and remove the battery cover.
5. Take the batteries out of the battery compartment.
6. Insert new batteries (2 × AAA/LR03). Refer to the markings in the battery compartment to ensure correct polarity.
7. Refit the battery cover and tighten the screw.
8. Refit the protective plastic cover.



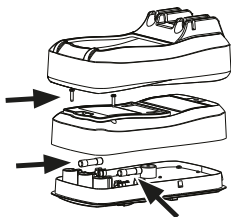
Replacing the fuses

When “**OL**” appears on the display and the buzzer sounds, it is time to check the fuses.

1. Disconnect the test leads from the multimeter.
2. Turn the function selector switch to **OFF**.
3. Remove the protective plastic cover.
4. Unscrew the two screws holding the back panel and remove it.
5. Replace the fuse/fuses with equivalent fuses to the one/s you remove:

- 1 × 10 A, 250 V, BFC (fast-blow ceramic), 5 × 20 mm
- 1 × 200 mA, 250 V, BFC (fast-blow ceramic), 5 × 20 mm

6. Put the battery cover back on and tighten the screws.



Responsible disposal

This symbol indicates that this product should not be disposed of with general household waste. This applies throughout the entire EU. In order to prevent any harm to the environment or health hazards caused by incorrect waste disposal, the product must be handed in for recycling so that the material can be disposed of in a responsible manner. When recycling your product, take it to your local collection facility or contact the place of purchase. They will ensure that the product is disposed of in an environmentally sound manner.



Specifications

General specifications

Polarity	Automatic negative (–) polarity indication
Zero adjustment	Automatic
Power supply	2 × AAA/LR03, 1.5 V
Safety cut-out overload protection fuses	1 × 10 A, 250 V, BFC (fast-blow ceramic), 5 × 20 mm 1 × 200 mA, 250 V, BFC (fast-blow ceramic), 5 × 20 mm
Reading update	2–3 times/second
Measuring range	Manual setting
Battery warning	Battery symbol is shown on the display
Operating environment	0–40 °C (32–104 °F) 0–30 °C, ≤75% RH 30–40 °C, ≤50% RH
Storage environment	–10 to +50 °C (14–122 °F)
Max operating altitude	2000 m
Dimensions	134 × 77 × 47 mm
Weight	216 g (incl. batteries)

Electrical specification

DC Voltage

Range	Resolution	Accuracy	Overload protection
200 mV	0.1 mV	$\pm(0.7\%+3)$	250 Vrms (AD/DC)
2000 mV	1 mV	$\pm(0.5\%+2)$	
20.00 V	0.01 V	$\pm(0.7\%+3)$	
200.0 V	0.1 V	$\pm(0.7\%+3)$	
250 V	1 V	$\pm(0.7\%+3)$	

Input impedance: about 10 M Ω

AC Voltage


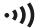
Range	Resolution	Accuracy	Overload protection
200.0 V	0.1 V	$\pm (1.2 \% + 3)$	250 Vrms (AD/DC)
250 V	1 V		

Input impedance: about 10 M Ω

Resistance

Range	Resolution	Accuracy	Overload protection
200.0 Ω	0.1 Ω	$\pm (1.0 \% + 2)$	250 Vrms (AD/DC)
2000 Ω	1 Ω	$\pm (0.8 \% + 2)$	
20.00 k Ω	0.01 k Ω	$\pm (0.8 \% + 2)$	
200.0 k Ω	0.1 k Ω	$\pm (0.8 \% + 2)$	
20.00 M Ω	0.01 M Ω	$\pm (1.2 \% + 3)$	

Diode and continuity measurement

Range	Resolution	Accuracy	Overload protection
	0.001 V	Open circuit voltage: 2.1 V, test current is about 1 mA, Silicon PN junction voltage is about 0.5–0.8 V.	250 Vrms (AD/DC)
	0.1 Ω	If the measured resistance is greater than 50 Ω , the measured circuit will be regarded as in open status, and the buzzer does not go off. If the measured circuit is in good conduction status, the buzzer goes off.	

Remark: Make sure that the voltage level of calibrated equipment is less than 10 V to avoid damage to the meter.

DC current

Range	Resolution	Accuracy	Overload protection
200.0 μ A	0.1 μ A	$\pm (1,0\%+2)$	250 Vrms (AC/DC)
200.0 mA	0.1 mA	$\pm (1,0\%+2)$	
10.00 A	0.01 A	$\pm (1,2\%+5)$	

Remark: At 10 A range: For continuous measurement ≤ 10 seconds and interval not less than 15 minutes.

Multimeter UNI-T UT131B

1711-UT131B

Läs igenom hela bruksanvisningen före användning och spara den sedan för framtida bruk. Vi reserverar oss för ev. text- och bildfel samt ändringar av tekniska data. Vid tekniska problem eller andra frågor, kontakta vår kundtjänst (se adressuppgifter på baksidan).

Information om mätinstrument

Multimetern är konstruerad och testad enligt kraven för installationskategori II upp till 250 V nominell spänning och föroreningsgrad 2.

Kategorisering

Mätinstrument delas in i olika kategorier utifrån vilken elektrisk miljö de ska användas i och hur säkra/skyddande de är mot eventuella överspänningar.

Märkningen på mätinstrumentet ska visa vilken kategori det tillhör. Kategoriseringen avgör hur säkert instrumentet är mot eventuella överspänningar som kan utgöra fara för användaren.

I korthet kan kategoriseringen beskrivas så här:

Vid en plötslig överspänning på elnätet (en transient från ett blixtnedslag etc.) är faran störst vid exempelvis byggnadens inkommande matningsledning. Längre in i byggnaden ökar motståndet (impedansen) i ledningarna och anslutna apparater minskar och fördelar överspänningen. Mätinstrumentets kategori talar alltså om i vilken elektrisk miljö instrumentet är tänkt att användas.

Kategorierna som mätinstrumenten delas in i är:

- **Kategori I:** För mätning i elektronik och produkter som har inbyggd skydd mot överspänning.
- **Kategori II:** För mätning på enfasutrustning som strömförsörjs med byggnadens elsystem. Både stickproppsansluten och fast installerad.
- **Kategori III:** För mätning i byggnadens elsystem. Fast installerade ledningar, uttag, proppskåp och elcentraler. Trefasdistribution (alla matarkablar samt trefasutrustning, maskiner och apparater).
- **Kategori IV:** Trefas på primär nivå och alla ledare för utomhusbruk.

Den här multimeteren tillhör installationskategori **II** och är avsedd för att mäta spänningar upp till 250 V i enfasprodukter. Multimeteren ska inte användas för mätning i trefasprodukter, trefasledningar eller elcentraler även om spänningen nominellt inte är högre än 250 V.

Föroreningsgrad

Multimeteren är konstruerad för att kunna användas i miljöer med förekomst av föroreningar som inte är elektriskt ledande. Med undantag för att tillfällig ledningsförorening skulle kunna uppstå på grund av kondensering.

Exempel på miljöer med föroreningsgrad 2 är hemmiljö i torra utrymmen, kontor, teststationer eller labb. Kort sagt torra utrymmen som har normalt inomhusklimat.

Multimeteren ska inte användas eller förvaras i utrymmen där den kan bli utsatt för elektriskt ledande föroreningar i någon form (fast, flytande eller gas.)

Multimeteren bör exempelvis inte utsättas för relativ luftfuktighet över 75 %, användas i ouppvärmda lokaler och får inte användas i våtutrymmen eller utomhus där den kan bli blöt.

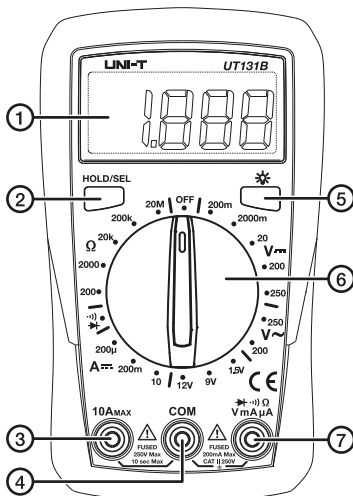
Den är inte avsedd att användas med elektrisk utrustning som används i industri eller jordbruk.

Säkerhet

- Produkten är testad i enlighet med följande CE standarder: EN 611010-1:2010, EN 61010-2-030:2010, EN 61326:2013, samt CAT II: 250 V, föroreningsgrad II.
- Produkten är endast avsedd för inomhusbruk.
- Genom att följa alla säkerhetsföreskrifter och drifanvisningar kan du se till att produkten används på ett säkert sätt.
- Använd aldrig produkten om den på något sätt är skadad eller fungerar onormalt.
- Se till att dina fingrar är bakom testkablarnas fingerskydd när du använder testkablarna.
- Kontrollera att strömmen är avstängd innan du gör några ingrepp i strömkretsen. Även små strömstyrkor kan vara farliga.
- Mät inte högre spänning än 250 V DC eller 250 V AC RMS med produkten.
- För att undvika stötar ska du vara mycket FÖRSIKTIG när du arbetar med högre spänning än 60 V DC eller 35 V AC RMS. Högre spänning medför risk för kraftiga stötar.
- Ställ in rätt mätområde med mätfunktionsväljaren innan mätningen påbörjas, mätområdet får inte ändras under pågående mätning.
- Använd aldrig produkten om batterifacket eller bakstycket är öppet.
- För att undvika elektriska stötar eller skador på produkten ska inte mätgränserna överskridas.
- Produkten är skyddad med säkringar, men de skyddar inte mot alla typer av felanvändning.
- Produkten ska inte användas eller förvaras i miljöer som har hög temperatur/luftfuktighet, inte heller i explosiva, brandfarliga omgivningar eller i närheten av starka magnetfält.
- Byt ut batteriet så fort symbolen för batterivarning visas på displayen, dåligt batteri kan medföra att fel mätvärden visas och kan därmed utgöra en säkerhetsrisk.
- Produkten eller dess tillbehör får inte demonteras eller modifieras på något sätt.
- Ta ur batteriet om instrumentet inte ska användas under en längre period.
- Stäng av produkten efter användning.
- Om starka elektriska magnetfält finns i närheten av produkten kan det leda till felvisning som upphör så snart störningen försvinner.

Knappar och funktioner

1. Display
2. [HOLD/SEL] Tryck för att låsa uppmätt värde, växla mellan diodmätning och kontinuerlig summer(gulsymbol).
3. **10A_{MAX}**: anslutning för röd testkabel vid likströmsmätning upp till 10 A.
4. **COM**: anslutning för svart testkabel (återledare).
5. [-] Slå på och av displaybelysningen, belysningen slås av automatiskt efter 30 sek.
6. Mätfunktionsväljare
7. **VmA_{μA}**: anslutning för röd testkabel vid spänningsmätning, likströmsmätning upp till 0,2 A, resistansmätning, diodtest, avbrottsmätning och temperaturmätning.



Displaysymboler

- [HOLD] läget är aktivt.
- Batterierna behöver bytas ut 2 × AAA/LR03, 1,5 V.
- Symbolen visas när resistorn eller dioden är trasig eller om spänningen går över intervallet (overload). Kan även visas när mätningen sker med fel polaritet.

Användning



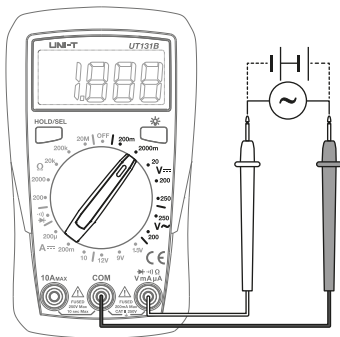
Varning!

- Kontrollera alltid innan spänningsmätning att multimetern är inställd på rätt mätområde och inte på ström-, resistans- eller diodmätning. Se till att du alltid placerar testkablarna rätt för den typ av mätning som ska göras.
- Använd yttersta försiktighet när du mäter spänning som överstiger 60 V, särskilt från mätobjekt med hög effekt.
- Kontrollera att mätobjektet inte är strömförande innan du kopplar in testkablarna i serie med mätkretsen (t.ex. vid mätning av ström).
- Se till att den krets som ska testas inte är strömförande innan du mäter resistans eller summer/diodtest.
- Se alltid till att rätt funktion och mätområde väljs. Om du är osäker på korrekt mätområde ska du börja med det högsta och arbeta dig nedåt.
- Var ytterst försiktig när du använder multimetern på en induktiv komponent t.ex. transformator, reläspole eller liknande. Högspänning kan uppstå (induceras) vid mätpunkten när strömkretsen bryts.
- Se till att testkablarna är i gott skick och att deras isolering inte är skadad.
- Vid byte av säkring måste den nya vara av rätt typ och ha rätt värde.

Spänningsmätning

Kontrollera batteriet genom att vrida mätfunktionsväljaren till en ny mätfunktion, batterisymbolen visas om batteriet börjar bli dåligt.

1. Koppla den svarta testkabeln till **COM** och den röda till **Vm μ A**.
2. Ställ in mätfunktionsväljaren på **V \sim** (200/250 V \sim) eller **V ---** (200 mV – 250 V) och önskad mätskala för mätning av spänning.

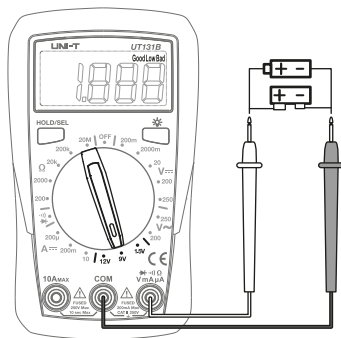


- Koppla testkablarna till spänningskällan som ska mätas.
Avläs mätvärdet.

Obs! Om fel polaritet kopplats in vid likspänningsmätning visar displayen ett-(minus) före mätvärdet.

Batterimätning

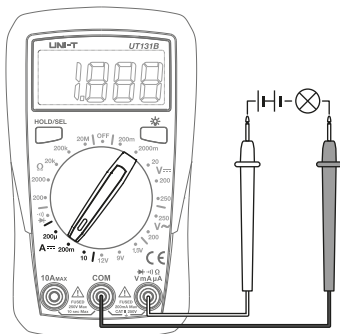
- Koppla den svarta testkabeln till **COM** och den röda till **VmA μ A**.
- Ställ mätfunktionsväljaren på **12V**, **9V** eller **1,5V** beroende på vilken typ av batteri du ska mäta.
- Batteriets status visas i displayen med beteckningen *Good*, *Low* eller *Bad*:



Batterimodel	1,5 V	9 V	12 V
Lastmotstånd	30 Ω	900 Ω	60 Ω
Good	$\geq 1,31$ V	$\geq 7,8$ V	$\geq 10,5$ V
Low	0,95–1,31 V	5,7–7,7 V	7,6–10,4 V
Bad	$\leq 0,94$ V	$\leq 5,6$ V	$\leq 7,5$ V

Mätning av likström

1. Koppla den svarta testkabeln till **COM** och den röda till **VmA μ A** (för mätning mellan 0–200 mA) eller till **10A MAX** (vid mätning mellan 200 mA och 10 A).
2. Ställ in mätfunktionsväljaren på **A $\overline{\text{---}}$** .
3. Seriekoppla testkablarna mellan strömkälla och belastningen som ska mätas. Avläs mätvärdet.



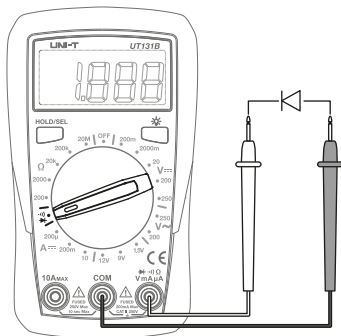
Varning!

Koppla inte in kablarna parallellt med spänningskällan vid strömmätning! Om du är osäker på rätt mätområde ska du börja med det högsta och arbeta dig nedåt.

Vid mätning av hög strömstyrka får multimetern endast vara ansluten kort tid (mindre än 10 sekunder vid > 10 A). Detta för att inte överhettas shuntens. Tiden mellan två mätningar måste vara mer än 15 min.

Diodtest

1. Koppla den svarta testkabeln till **COM** och den röda testkabeln till **VmA μ A**.
2. Ställ in mätfunktionsväljaren på **▶** och tryck på [HOLD/SEL] knappen för mätning av dioders tröskelvärde (V).
3. Koppla den svarta testkabeln till katod och den röda testkabeln till anod på dioden som ska testas. Läs av värdet för framspänningsförlusten från displayen.



Om displayen visar "OL", prova att skifta polaritet på dioden, men det kan också bero på att dioden är trasig.

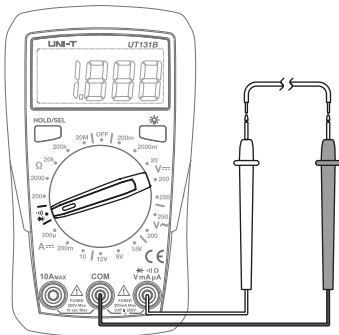
Varning!

Se till att den krets som ska testas inte är strömförande, innan du testar dioder. Var ytterst försiktig när du använder multimeteren på en induktiv komponent som t.ex. transformator, reläspole eller liknande, se till att de är urladdade innan mätning. Högspänning kan uppstå (induceras) vid mätpunkten när strömkretsen bryts.

Obs! En bra diod i en krets ska ha ett framspänningsfall på 0,5–0,8 V. Bakspänningsfallet kan variera mycket beroende på motståndet för andra ledningsvägar mellan mätpetsarna.

Avbrottsmätning (kontinuitet)

1. Koppla den svarta testkabeln till **COM** och den röda testkabeln till **VmA μ A**. Ställ in mätfunktionsväljaren på **•|)**.
2. Koppla testkablarna till kabeländarna som ska kontrolleras.
 - Inget avbrott i kabeln:
Summern ljuder hela tiden om motståndet är $\leq 10 \Omega$.
 - Avbrott i kabeln:
Summern ljuder inte om motståndet är $> 51 \Omega$.



Varning!

Se till att den krets som ska testas inte är strömförande, innan du mäter kontinuitet.

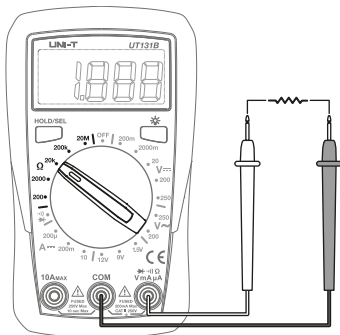
Var ytterst försiktig när du använder multimetern på en induktiv komponent som t.ex. en transformator, reläspole eller liknande, se till att de är urladdade innan mätning. Högspänning kan uppstå (induceras) vid mätpunkten när strömkretsen bryts.

För att undvika stötar ska du vara **FÖRSIKTIG** när du arbetar med högre spänning än 60 V DC eller 30 V AC RMS. Högre spänning medför risk för kraftiga stötar.

Obs! Testspänning vid öppen krets ca 2,1V.

Resistansmätning

1. Koppla den svarta testkabeln till **COM** och den röda till **VmA μ A**.
2. Ställ in mätfunktionsväljaren på Ω och önskad mätskala för mätning av resistans.
3. Koppla testkablarna till den krets som ska mätas. Avläs mätvärdet.



⚠ Varning! Kontrollera innan mätning att mätobjektet som ska testas är strömlöst.

För att undvika risk för personskada, mät inte komponenter som har högre spänning än 60 V (DC) eller 30 V (AC).

Testkablarna kan addera 0,1–0,2 Ω till det faktiska mätvärdet. För att göra noggranna mätningar på komponenter med låg resistans, kortslut ingånganslutningarna, notera det kortslutna värdet och använd det för att räkna bort felmätningen i avläsningen på displayen.

Om det kortslutna värdet är högre än 0,5 Ω så kontrollera om någon anslutning/testkabel är glapp eller skadad.

Vid mätning av hög resistans (>1 M Ω) är det normalt att det tar några sekunder innan visningen av mätresultatet stabiliseras.

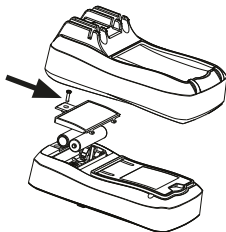
För bästa noggrannhet bör så korta och högkvalitativa testkablar som möjligt användas.

Skötsel och underhåll

- Rengör multimetern med en lätt fuktad trasa. Använd ett mildt rengöringsmedel, aldrig lösningsmedel eller frätande kemikalier.
- Ta ut batteriet och förvara multimetern torrt och dammfritt utom räckhåll för barn om den inte ska användas under en längre period.

Batteribyte

1. Koppla bort testkablarna.
2. Vrid mätfunktionsväljaren till läge **OFF**.
3. Trä av plastskyddet.
4. Lossa skruven och plocka bort batteriluckan.
5. Ta ut batterierna från batterihållaren.
6. Sätt i nya batterier (2 × AAA, LR03).
Se märkningen i botten på batterihållaren så att polariteten blir rätt.
7. Sätt tillbaka batteriluckan och dra åt skruven.
8. Trä på plastskyddet.



Säkringsbyte

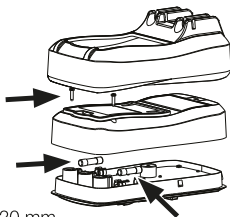
När "OL" symbolen presenteras i displayen och summersignal ljuder är det dags att kontrollera säkringarna.

1. Koppla bort testkablarna från produkten.
2. Vrid mätfunktionsväljaren till läge **OFF**.
3. Trä av plastskyddet.
4. Lossa de två skruvar som håller fast bakstycket och ta bort det.
5. Ersätt säkringen/säkringarna med sådana som är identiska med de gamla:

1 × 10 A, 250 V, BFC (snabb keramisk) 5 × 20 mm

1 × 200 mA 250 V, BFC (snabb keramisk) 5 × 20 mm

6. Sätt tillbaka bakstycket och dra åt skruvarna.



Avfallshantering

Denna symbol innebär att produkten inte får kastas tillsammans med annat hushållsavfall. Detta gäller inom hela EU. För att förebygga eventuell skada på miljö och hälsa, orsakad av felaktig avfallshantering, ska produkten lämnas till återvinning så att materialet kan tas omhand på ett ansvarsfullt sätt. När du lämnar produkten till återvinning, använd dig av de returhanteringssystem som finns där du befinner dig eller kontakta inköpsstället. De kan se till att produkten tas om hand på ett för miljön tillfredställande sätt.



Specifikationer

Generell specifikation

Polaritet	Automatisk indikation av negativ (-) polaritet
Nollinställning	Automatisk
Strömförsörjning	2 × AAA, LR03 1,5 V
Överbelastningsskydd säkringar	1 × 10 A, 250 V, BFC (snabb keramisk) 5 × 20 mm 1 × 200 mA 250 V, BFC (snabb keramisk) 5 × 20 mm
Mätuppdatering	2–3 ggr/sek
Mätområde	Manuell inställning
Batterivarning	Batterisymbol visas på displayen
Användningsmiljö	0–40 °C (32–104 °F) 0–30 °C ≤75% luftfuktighet 30–40 °C ≤50% luftfuktighet
Förvaringsmiljö	-10 – +50 °C (14–122 °F)
Max användningshöjd	2000 m
Mått	134 × 77 × 47 mm
Vikt	Ca 216 g (med batterier)

Elektrisk specifikation

DC Voltage

Range	Resolution	Accuracy	Overload protection
200 mV	0.1 mV	$\pm(0.7\%+3)$	250 Vrms (AD/DC)
2000 mV	1 mV	$\pm(0.5\%+2)$	
20.00 V	0.01 V	$\pm(0.7\%+3)$	
200.0 V	0.1 V	$\pm(0.7\%+3)$	
250 V	1 V	$\pm(0.7\%+3)$	

Input impedance: about 10 M Ω

AC Voltage


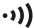
Range	Resolution	Accuracy	Overload protection
200.0 V	0.1V	$\pm (1.2 \% + 3)$	250 Vrms (AC/DC)
250 V	1 V		

Input impedance: about 10 M Ω

Resistance

Range	Resolution	Accuracy	Overload protection
200.0 Ω	0.1 Ω	$\pm (1.0 \% + 2)$	250 Vrms(AC/DC)
2000 Ω	1 Ω	$\pm (0.8 \% + 2)$	
20.00 k Ω	0.01 k Ω	$\pm (0.8 \% + 2)$	
200.0 k Ω	0.1 k Ω	$\pm (0.8 \% + 2)$	
20.00 M Ω	0.01 M Ω	$\pm (1.2 \% + 3)$	

Diode and continuity measurement

Range	Resolution	Accuracy	Overload protection
	0.001 V	Open circuit voltage: 2,1V test current is about 1mA Silicon PN junction voltage is about 0,5–0,8V.	250 Vrms(AC/DC)
	0.1 Ω	If the measured resistance is greater than 50 Ω , the measured circuit will be regarded as in open status, and the buzzer does not go off. If the measured circuit will be regarded as in good conduction status, and the buzzer goes off.	

Remark: Make sure voltage level of calibrated equipment is less than 10 V to avoid damages to the meter.

DC current

Range	Resolution	Accuracy	Overload protection
200.0 μ A	0.1 μ A	$\pm (1,0\%+2)$	250 Vrms(AC/DC)
200.0 mA	0.1 mA	$\pm (1,0\%+2)$	
10.00 A	0.01 A	$\pm (1,2\%+5)$	

Remark: At 10 A range: For continuous measurement ≤ 10 seconds and interval not less than 15 minutes.

UNI-T UT131B multimeter

1711-UT131B

Les brukerveiledningen grundig før produktet tas i bruk og ta vare på den for framtidig bruk. Vi reserverer oss mot ev. feil i tekst og bilde, samt forandringer av tekniske data. Ved tekniske problemer eller om du har spørsmål, ta kontakt med vårt kundesenter (se kontaktinformasjon på baksiden).

Informasjon om måleinstrumentet

Multimeteret er konstruert og testet i henhold til installasjonskategori II, inntil 250 V nominell spenning og forurensningsgrad 2.

Kategorisering

Måleinstrumenter deles inn i forskjellige kategorier utfra hvilket elektrisk miljø de skal brukes i og hvor sikre/beskyttet de er mot eventuelle overspenninger.

Markeringen på måleinstrumentet skal vise hvilken kategori det tilhører. Kategoriseringen avgjør hvor sikkert instrumenter er mot eventuelle overspenninger som kan være til fare for brukeren.

Kategoriseringen kan kort beskrives slik:

Ved en plutselig overspenning på strømnettet (f.eks. en midlertidig spenningsendring som følge av et lynnedslag) er faren størst ved den innkommende strømledningen til bygningen. Motstanden (impedansen) øker lengre innover i bygningens ledninger og apparater, og fordeler overspenningen. Måleinstrumentets kategori forteller altså om hvilket elektrisk miljø instrumentet er beregnet brukt i.

Kategoriene måleinstrumentet deles inn i er:

- **Kategori I:** For måling av elektronikk og produkter som har innebygd beskyttelse mot overspenning.
- **Kategori II:** For måling av én-faset utstyr som forsynes med strøm fra bygningens strømsystem, både støpsetilkoblede og faste installasjoner.
- **Kategori III:** For måling i bygningens strømsystem, fast installerte ledninger, uttak, sikringsskap og el sentraler. Trefasdistribusjon (alle matekabler samt trefaseutstyr, maskiner og apparater).
- **Kategori IV:** Trefase på primærnivå og alle ledere for utendørsbruk.

Dette multimeteret tilhører installasjonskategori II og er beregnet for måling av spenninger opptil 250 V i én-faseprodukter. Multimeteret skal ikke brukes til måling av trefaseprodukter, trefaseledninger eller el sentraler, selv om nominell spenning er lavere enn 250 V.

Forurensningsgrad

Multimeteret er konstruert for bruk i omgivelser med forekomst av forurensninger som ikke er elektrisk ledene. Unntak fra dette er midlertidige ledningsforurensning som kan oppstå som følge av kondens.

Eksempel på omgivelser med forurensningsgrad 2 er hjemmemiljøer i tørre rom, kontorer, teststasjoner og laboratorier. Kort sagt, tørre rom med normalt inn klima.

Multimeteret skal ikke brukes eller oppbevares i rom hvor det kan bli utsatt for elektrisk ledende forurensninger i en eller annen form (fast, flytende eller gass).

Multimeteret bør ikke utsettes for relativ luftfuktighet over 75 %. Det skal brukes i oppvarmede lokaler og må ikke benyttes i våtrom eller utendørs hvor det kan bli fuktig.

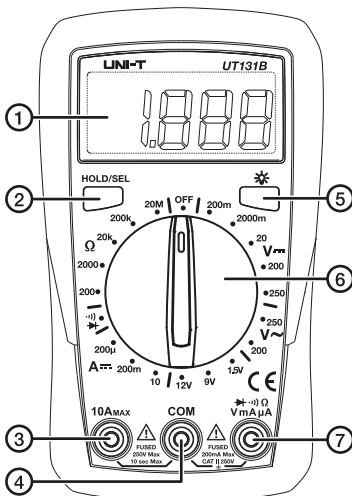
Det er ikke beregnet brukt til elektrisk utstyr som brukes i industriell virksomhet eller i landbruket.

Sikkerhet

- Produktet er testet i henhold til følgende CE-standarder: EN 611010-1:2010, EN 61010-2-030:2010, EN 61326:2013, samt CAT II: 250 V, forurensningsgrad II.
- Produktet er kun beregnet til innendørs bruk.
- Når alle sikkerhetsforskrifter og bruksanvisninger følges, vil bruken av instrumentet være sikker.
- Produktet må ikke brukes hvis det på noen måte er skadet eller fungerer unormalt.
- Pass på at fingrene dine er bak fingerbeskyttelsen på testekablene når du bruker kablene.
- Forviss deg om at strømmen er frakoblet før du utfører inngrep i strømkretsen. Selv små strømstyrker kan være farlige!
- Instrumentet må ikke brukes til målinger av høyere spenning enn 250 V DC eller 250 V AC RMS.
- Vær EKSTRA FORSIKTIG for å unngå støt når det jobbes med spenning høyere enn 60 V DC eller 35 V AC RMS. Høyere spenning medfører fare for kraftige støt.
- Still inn på riktig måleområde med funksjonsbryteren før målingen starter. Måleområdet må ikke endres under måling.
- Ikke bruk instrumentet hvis batterilokket eller bakstykket er åpent.
- For å unngå elektrisk støt eller skade på måleinstrumentet må ikke målegrensene overskrides.
- Instrumentet er beskyttet med sikringer, men de beskytter ikke instrumentet mot all feilbruk.
- Instrumentet skal ikke brukes eller oppbevares i miljøer med høy temperatur/luftfuktighet, nær sterke magnetfelt eller i eksplosive, brannfarlige miljøer.
- Bytt ut batteriet så fort symbolet for batterivarsling vises på displayet. Dårlig batteri kan medføre at feil måleverdier vises og kan dermed utgjøre en sikkerhetsrisiko.
- Instrumentet og tilbehøret må ikke demonteres eller modifiseres.
- Ta ut batteriet dersom produktet ikke skal brukes på en stund.
- Skru av instrumentet etter bruk.
- Hvis det er sterke elektriske magnetfelt i nærheten av instrumentet mens måling pågår kan dette medføre feilvisning. Dette forsvinner når feilstyrrelsene opphører.

Knapper og funksjoner

1. Display
2. [HOLD/SEL] Trykk for å låse oppmålt verdi, veksle mellom diodemåling og kontinuerlig summer(gulsymbol).
3. **10A_{MAX}**: tilkobling for rød testkabel ved likestrømsmåling opp til 10 A.
4. **COM**: tilkobling for svart testkabel (tilbakeleder).
5. [] Slå på og av displaybelysningen, belysningen slås av automatisk etter 30 sek.
6. Målefunksjonsvelger
7. **VmA_{μA}**: tilkobling for rød testkabel ved spenningsmåling, likestrømsmåling opp til 0,2 A, resistansmåling, diodetest, avbruddsmåling og temperaturmåling.



Displaysymboler

- [HOLD] modus er aktivt.
- Batteriene må byttes ut, 2 x AAA/LR03, 1,5 V.
- Symbolet vises når resistoren eller dioden er ødelagt eller om spenningen går over intervallet (overload). Kan også vises når målingen skjer med feil polaritet.

Bruk

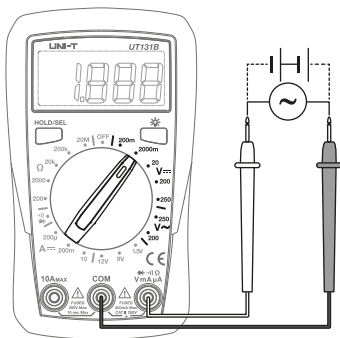
⚠ Advarsel!

- Kontroller alltid før spenningsmåling at multimeteret er innstilt på riktig måleområde og ikke på strøm-, resistans- eller diodemåling. Påse at du alltid plasserer testkablene riktig for den type måling som skal utføres.
- Vær ekstra oppmerksom når du måler spenning som overstiger 60 V, spesielt fra måleobjekt med høy effekt.
- Kontroller at måleobjektet ikke er strømførende før du kobler inn testledningene i serie med målekretsen (f.eks. ved måling av strøm).
- Påse at den kretsen som skal testes ikke er strømførende, før du måler motstanden eller summer-/diodetest.
- Pass på at du bruker riktig funksjon og måleområde. Hvis du er usikker på riktig måleområde skal du starte med den høyeste verdien og arbeide deg nedover.
- Du må være svært forsiktig når du bruker instrumentet på en induktiv komponent, f.eks. transformatorer, relèspoler eller liknende. Høyspenning kan oppstå (induseres) ved målepunktet når strømkretsen brytes.
- Påse at testkablene er i god stand og at isoleringen ikke er skadet.
- Ved bytte av sikring må den nye sikringen være av riktig type og med riktig verdi.

Spenningsmåling

Batteriet kontrolleres ved å dreie på funksjonsvelgeren til en ny målefunksjon. Hvis batterisymbolet vises begynner batteriet å bli dårlig.

1. Den sorte testledningen kobles til **COM**, den røde til **VmA μ A**.
2. Still funksjonsvelgeren på **V \sim** (200/250 V \sim) eller **V ---** (200 mV – 250 V) og ønsket måleskala for måling av spenning.

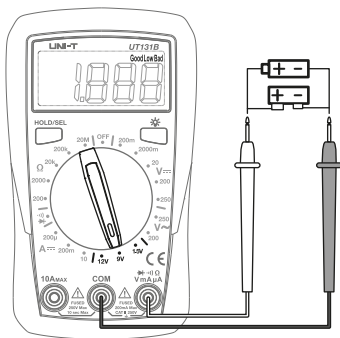


3. Testledningene kobles til den spenningskilden som skal måles. Les av måleverdien.

Obs! Hvis man kobler med feil polaritet ved likespenning vil displayet vise – (minus) foran måleverdien.

Batterimåling

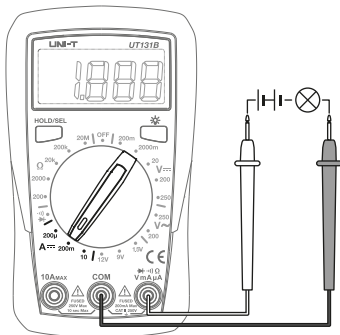
1. Den sorte testledningen kobles til **COM**, den røde til **VmA μ A**.
2. Funksjonsvelgeren stilles på **12 V**, **9 V** eller **1,5 V**, avhengig av hvilken type batteri som skal måles.
3. Batteristatus vises i displayet med betegnelsen *Good*, *Low* eller *Bad*:



Batterimodell	1,5 V	9 V	12 V
Lastmotstand	30 Ω	900 Ω	60 Ω
Good	$\geq 1,31$ V	$\geq 7,8$ V	$\geq 10,5$ V
Low	0,95–1,31 V	5,7–7,7 V	7,6–10,4 V
Bad	$\leq 0,94$ V	$\leq 5,6$ V	$\leq 7,5$ V

Måling av likestrøm

1. Koble den svarte testkabelen til **COM** og den røde til **VmA μ A** (for måling mellom 0–200 mA) eller til **10 A MAX** (ved måling mellom 200 mA og 10 A).
2. Still inn funksjonsvelgeren på **A $\overline{\text{---}}$** .
3. Seriekoble testledningene mellom strømkilde og belastningen som skal måles. Les av måleverdien.



Advarsel!

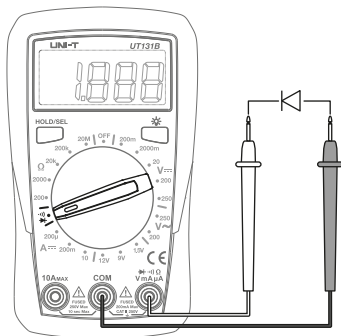
Kablene må ikke kobles parallelt med spenningskilden ved strømmåling! Hvis du er usikker på riktig måleområde, skal du starte med den høyeste verdien og jobbe deg nedover.

Ved måling av høy strømstyrke skal instrumentet kun være koblet til i kort tid (mindre enn 10 sekunder ved > 10 A). Dette for å ikke overopphete shunten.

Tiden mellom to målinger må være mer enn 15 min.

Diodetest

1. Koble den sorte testledningen til **COM**, den røde til **VmA μ A**.
2. Still funksjonsvelgeren på **▶** og trykk på [HOLD/SEL] knappen for måling av dioders terskelverdi (V).
3. Koble den sorte testledningen til katoden og den røde til anoden på dioden som skal testes. Les av verdien for forspenningstapet på displayet. Hvis displayet viser «OL», prøv å skifte polaritet på dioden. Det kan også være at dioden er ødelagt.



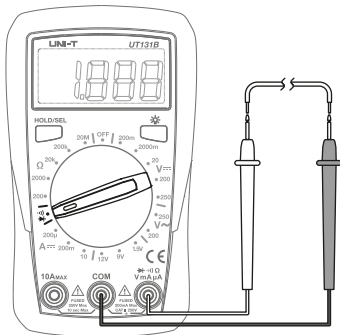
Advarsel!

Påse at den kretsen som skal testes ikke er strømførende, før du tester dioder. Du må være svært forsiktig når du bruker instrumentet på en induktiv komponent, f.eks. transformatorer, relèspoler eller liknende. Pass på at disse er utladet før målingen utføres. Høyspenning kan oppstå (induseres) ved målepunktet når strømkretsen brytes.

Obs! En velfungerende diode i en krets skal ha et forspenningsfall på 0,5–0,8 V. Bakpenningsfallet kan variere mye, avhengig av motstanden for andre ledningsveier mellom målepissene.

Avbruddsmåling (kontinuitet)

1. Koble den svarte testkabelen til **COM** og den røde till **VmA μ A**. Still inn funksjonsvelgeren på **(•|)**.
2. Testkablene kobles til de kabelendene som skal kontrolleres.
 - Ingen avbrudd i kabelen: Summeren lyder hele tiden hvis motstanden er $\leq 10 \Omega$.
 - Brudd i kabelen: Summeren lyder ikke hvis motstanden er $> 51 \Omega$.



Advarsel!

Påse at den kretsen som skal testes ikke er strømførende før du måler kontinuitet.

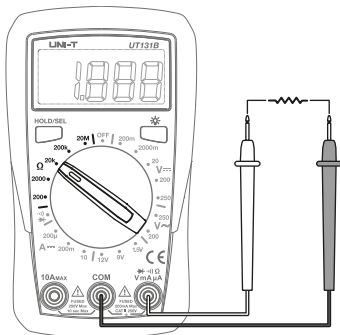
Du må være svært forsiktig når du bruker instrumentet på en induktiv komponent, f.eks. transformatorer, relèspoler eller liknende. Pass på at disse er utladet før målingen utføres. Høyspenning kan oppstå (induseres) ved målepunktet når strømkretsen brytes.

For å unngå støt må du være FORSIKTIG når du arbeider med høyere spenning enn 60 V DC eller 30 V AC RMS. Høyere spenning medfører fare for kraftige støt.

Obs! Testspenning ved åpen krets ca. 2,1 V.

Resistansmåling

1. Den sorte testledning kobles til **COM**, den røde til **VmA μ A**.
2. Still inn funksjonsvelgeren på Ω og ønsket måleskala for måling av resistans.
3. Koble testledningene til den kretsen som skal måles. Avles måleverdien.



! **Advarsel!** Kontroller at måleobjektet er strømløst før målingen starter.

For å unngå skader på personer må det ikke foretas måling på komponenter som har høyere spenning enn 60 V (DC) eller 30 V (AC).

Testledningene kan addere 0,1–0,2 Ω til den faktiske måleverdien. For å foreta nøyaktige målinger på komponenter med lav motstand, må inngangstilkoblingene kortsluttes. Noter den kortsluttede verdien og bruk den til å regne ut feilmålingen i avlesingen på displayet.

Hvis den kortsluttede verdien er høyere enn 0,5 Ω , kontroller om en tilkobling/testledning glipper eller er skadet.

Ved måling av høy resistans (> 1 M Ω) er det normalt at det tar noen sekunder før visningen av måleresultatet stabiliseres.

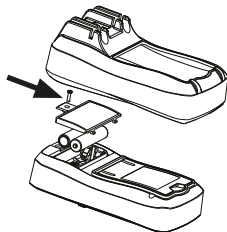
Best nøyaktighet oppnås ved bruk av korte testledninger av god kvalitet.

Vedlikehold

- Rengjør produktet med en lett fuktet klut. Bruk et mildt rengjøringsmiddel, aldri løsemidler eller etsende kjemikalier.
- Ta ut batteriet og oppbevar multimeteren tørt og støvfritt, utenfor barns rekkevidde, hvis den ikke skal brukes under en lengre periode.

Bytte av batteri

1. Koble fra testledningene.
2. Vri funksjonsvelgeren til posisjon **OFF**.
3. Ta av plastbeskyttelsen.
4. Løsne skruen og ta bort batterilokket.
5. Ta ut batteriene fra batteriholderen.
6. Sett i nye batterier (2 × AAA, LR03).
Følg merkingen for polaritet i bunnen av batteriholderen.
7. Sett på batterilokket igjen og skru til skruen.
8. Fjern plastbeskyttelsen.



Bytte av sikring

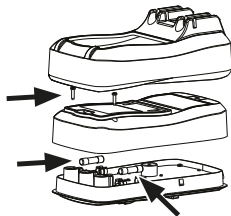
Når «L» symbolet vises i displayet og summersignal lyder må sikringene kontrolleres.

1. Ta bort testledningene fra produktet.
2. Vri funksjonsvelgeren til posisjon **OFF**.
3. Ta av plastbeskyttelsen.
4. Løsne de to skruene som holder bakstykket fast og ta det bort.
5. Erstatt sikring(en) med tilsvarende de gamle:

1 × 10 A, 250 V, BFC (kvikk keramisk) 5 × 20 mm

1 × 200 mA, 250 V, BFC (kvikk keramisk) 5 × 20 mm

6. Sett bakstykket på plass og skru til skruene.



Avfallshåndtering

Symbolet betyr at produktet ikke skal kastes sammen med øvrig husholdningsavfall. Dette gjelder innenfor EØS-området. For å forebygge eventuelle skader på helse og miljø som følge av feil avfallshåndtering skal produktet leveres til gjenvinning, slik at materialet blir tatt hånd om på en ansvarsfull måte. Benytt miljøstasjonene som er der du befinner deg eller ta kontakt med forhandler. De vil ta hånd om produktet på en miljømessig forsvarlig måte.



Spesifikasjoner

Generell spesifikasjon

Polaritet	Automatisk indikasjon av negativ (-) polaritet.
Nullstilling	Automatisk
Strømforsyning	2 × AAA, LR03 1,5 V
Overbelastningsvern sikringer	1 × 10 A, 250 V, BFC (kvikk keramisk) 5 × 20 mm 1 × 200 mA, 250 V, BFC (kvikk keramisk) 5 × 20 mm
Måleoppdatering	2–3/sek
Måleområde	Manuell innstilling
Batterivarsling	Batterisymbol vises på displayet.
Bruksmiljø	0–40 °C (32–104 °F) 0–30 °C ≤75 % luftfuktighet 30–40 °C ≤50 % luftfuktighet
Oppbevaring	-10 – +50 °C (14–122 °F)
Maks brukshøyde	2000 m
Mål	134 × 77 × 47 mm
Vekt	216 g (med batterier)

Elektrisk spesifikasjon

DC Voltage

Range	Resolution	Accuracy	Overload protection
200 mV	0.1 mV	$\pm(0.7\%+3)$	250 V RMS (AC/DC)
2000 mV	1 mV	$\pm(0.5\%+2)$	
20.00 V	0.01 V	$\pm(0.7\%+3)$	
200.0 V	0.1 V	$\pm(0.7\%+3)$	
250 V	1 V	$\pm(0.7\%+3)$	

Input impedance: about 10 M Ω

AC Voltage


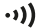
Range	Resolution	Accuracy	Overload protection
200.0 V	0.1V	$\pm (1.2 \% + 3)$	250 Vrms (AC/DC)
250 V	1 V		

Input impedance: about 10 M Ω

Resistance

Range	Resolution	Accuracy	Overload protection
200.0 Ω	0.1 Ω	$\pm (1.0 \% + 2)$	250 Vrms (AC/DC)
2000 Ω	1 Ω	$\pm (0.8 \% + 2)$	
20.00 k Ω	0.01 k Ω	$\pm (0.8 \% + 2)$	
20.00 k Ω	0.1 k Ω	$\pm (0.8 \% + 2)$	
20.00 M Ω	0.01 M Ω	$\pm (1.2 \% + 3)$	

Diode and continuity measurement

Range	Resolution	Accuracy	Overload protection
	0.001 V	Open circuit voltage: 2,1V test current is about 1mA Silicon PN junction voltage is about 0,5–0,8V.	250 Vrms (AC/DC)
	0.1 Ω	If the measured resistance is greater than 50 Ω , the measured circuit will be regarded as in open status, and the buzzer does not go off. If the measured circuit will be regarded as in good conduction status, and the buzzer goes off.	

Remark: Make sure voltage level of calibrated equipment is less than 10 V to avoid damages to the meter.

DC current

Range	Resolution	Accuracy	Overload protection
200.0 μ A	0.1 μ A	$\pm (1,0\%+2)$	250 Vrms(AC/DC)
200.0 mA	0.1 mA	$\pm (1,0\%+2)$	
10.00 A	0.01 A	$\pm (1,2\%+5)$	

Remark: At 10 A range: For continuous measurement ≤ 10 seconds and interval not less than 15 minutes.

Yleismittari UNI-T UT131B

1711-UT131B

Lue koko käyttöohje ja säästä se tulevaa käyttöä varten. Pidätämme oikeuden teknisten tietojen muutoksiin. Emme vastaa mahdollisista teksti- tai kuvavirheistä. Jos tuotteeseen tulee teknisiä ongelmia, ota yhteys myymälään tai asiakaspalveluun (yhteystiedot käyttöohjeen lopussa).

Tietoa mittalaitteesta

Yleismittari on kehitetty ja testattu kategorian II vaatimusten mukaisesti 250 V:n nimellisjännitteeseen saakka ja sen saasteaste on 2.

Luokittelu

Mittalaitteet luokitellaan eri kategorioihin sen mukaan, missä sähköisessä ympäristössä niitä käytetään ja kuinka hyvin ne on suojattu mahdollisilta ylijännitepiikeiltä.

Mittalaitteen merkintä kertoo, mihin kategoriaan laite kuuluu. Luokittelu kertoo, miten laite suojaa mahdollisilta ylijänniteiltä, jotka voivat aiheuttaa laitteen käyttäjälle vaaratilanteita.

Luokittelu voidaan kuvata lyhyesti näin:

Sähköverkosta tulevan äkillisen ylijännitteen (esim. salamanlyönnistä aiheutuva jännitteen muutos) sattuessa on vaara suurin esimerkiksi rakennuksen sisään tulevassa syöttöjohdossa. Pidemmällä asunnossa vastus (impedanssi) johdoissa lisääntyy ja verkkoon liitetyt laitteet vähentävät ja jakavat ylijännitettä. Mittalaitteen kategoria kertoo, missä sähköisessä ympäristössä laitetta voi käyttää.

Mittalaitteet on jaettu eri kategorioihin seuraavasti:

- **Kategoria I:** Elektroniikan ja sellaisten laitteiden mittaamiseen, joissa on sisäänrakennettu ylijännitesuoja.
- **Kategoria II:** Yksivaihevirtaa käyttävien laitteiden mittaamiseen, jotka saavat virtaa rakennuksen sähköjärjestelmästä. Sekä pistorasiaan liitettävät että kiinteästi asennettavat laitteet.
- **Kategoria III:** Rakennuksen sähköjärjestelmän mittaamiseen. Kiinteästi asennetut johdot, sulakekaapit ja sähkökeskukset. Kolmivaihevirran jakelu (kaikki syöttökaapelit sekä kolmivaihevirtaa käyttävät laitteet, koneet ja kalustot).
- **Kategoria IV:** Kolmivaihevirta primaaritasolla ja kaikki ulkokäyttöön tarkoitetut johtimet.

Tämä yleismittari kuuluu kategoriaan II ja sillä voi mitata yksivaihevirtaa käyttävien laitteiden jännitettä aina 250 V:iin saakka. Yleismittaria ei saa käyttää kolmivaihevirtalaitteiden, kolmivaihevirtakaapeleiden tai sähkökeskusten mittaamiseen, vaikka niiden nimellisjännite ei olisikaan korkeampi kuin 250 V.

Saasteaste

Yleismittari on kehitetty käytettäväksi ympäristöissä, missä voi esiintyä saasteita, jotka eivät johda sähköä. Poikkeuksena tilapäiset, kondensaatiosta aiheutuvat johdinsaasteet.

Esimerkkejä ympäristöistä, joiden saasteaste on 2, ovat kotiympäristön kuivat tilat, toimistot, testiasemat ja laboratoriot. Toisin sanoen kuivat tilat, joissa on normaali sisäilmasto.

Yleismittaria ei saa käyttää tai säilyttää tiloissa, joissa se voi altistua sähköä johtaville saasteille (kiinteät, nestemäiset tai kaasut).

Yleismittaria ei tule esimerkiksi altistaa kostealle ilmalle, jonka relatiivinen kosteus on yli 75 %. Sitä ei tule myöskään käyttää lämmittämättömissä tiloissa, eikä märkätiloissa tai ulkona, joissa on riski, että mittari kastuu.

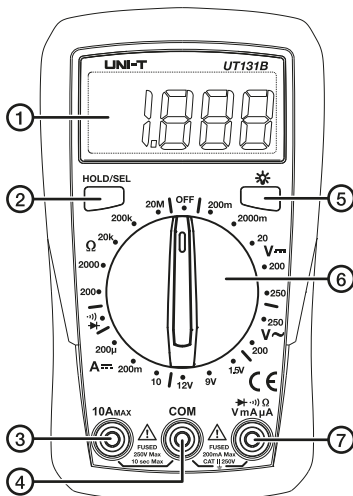
Sitä ei ole tarkoitettu käytettäväksi teollisuudessa tai maataloudessa käytettävien sähkölaitteiden kanssa.

Turvallisuus

- Laite on testattu seuraavien CE-standardien mukaisesti: EN 611010-1:2010, EN 61010-2-030:2010, EN 61326:2013, samt CAT II: 250 V, likaantumisaste II.
- Tuote on tarkoitettu vain sisäkäyttöön.
- Varmista mittalaitteen turvallinen käyttö noudattamalla kaikkia käyttö- ja turvallisuusohjeita.
- Älä käytä laitetta, jos se on vaurioitunut tai jos se ei toimi oikealla tavalla.
- Varmista, että sormesi ovat testausjohdinten sormisuojausten takana ennen kuin käytät testijohtimia.
- Varmista että virta on sammutettu ennen kuin kosket virtapiiriin. Myös pieni virranvoimakkuus voi olla vaarallinen.
- Älä mittaa laitteella jännitettä, joka on yli 250 V DC tai 250 V AC RMS.
- Vältä iskut ja työskentele erittäin varovaisesti, kun jännite on yli 60 VDC tai 35 VAC RMS. Korkeampi jännite aiheuttaa voimakkaan iskun riskin.
- Aseta oikea mitta-alue toiminnonvalitsimella ennen mittauksen aloittamista. Mittausaluetta ei saa muuttaa meneillään olevan mittauksen aikana.
- Älä käytä laitetta, jos sen paristolokero tai takaosa on vioittunut.
- Älä ylitä mittalaitteen mittarajoja. Näin vältät sähköiskut ja mittalaitteen vahingot.
- Laite on suojattu sulakkeilla, mutta ne eivät suojaa kaikilta käyttövirheiltiltä.
- Laitetta ei saa käyttää tai säilyttää tiloissa, jossa on liian korkea lämpötila/ilmankosteus. Laitetta ei saa myöskään käyttää tai säilyttää tiloissa, jossa on räjähtävää tai helposti syttyvää materiaalia tai voimakkaita magneettikenttiä.
- Vaihda paristo, kun paristovaroituksen kuvake ilmestyy näytölle. Alhainen pariston varaus saattaa johtaa virheelliseen mittaustulokseen, ja se aiheuttaa myös turvallisuusriskin.
- Laitetta tai sen tarvikkeita ei saa muuttaa tai purkaa.
- Poista paristo, jos laite on pitkään käyttämättä.
- Sammuta laite käytön jälkeen.
- Jos laitteen lähellä on voimakkaita magneettikenttiä, ne saattavat aiheuttaa vääriä mittaustuloksia. Kun magneettihäiriö katoaa, laite näyttää jälleen oikeita mittaustuloksia.

Painikkeet ja toiminnot

1. Näyttö
2. [HOLD/SEL] lukitse mitattu arvo painamalla, vaihda diosmittauksen ja jatkuvan summerin (keltasymboli).
3. **10A_{MAX}**: punaisen testijohdon liitäntä korkeintaan 10 A:n tasavirtamittauksessa.
4. **COM**: mustan testijohdon liitäntä.
5. [ON/OFF] Sytytä ja sammuta näytön valaistus. Valaistus sammuu automaattisesti 30 sekunnin kuluttua.
6. Mittaustoiminnon valitsin
7. **VmA_μA**: punaisen testijohdon liitäntä jännitemittauksessa, tasavirtamittaus korkeintaan 0,2 A, resistanssimittaus, dioditestaus, katkomittaus ja lämpötilamittaus.



Näytön merkinnät

- [H] HOLD] tila on aktiivinen.
- [ON/OFF] Vaihda paristot 2 × AAA/LR03, 1,5 V.
- [OL] Kuvake näkyy, kun resistori tai diodi on viallinen tai kun jännite menee yli mittausalueen (overload). Kuvake saattaa näkyä myös, kun mittauksessa on väärä napaisuus.

Käyttö



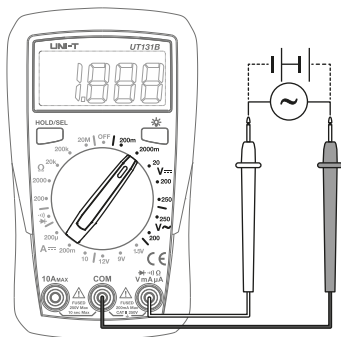
Varoitus!

- Varmista aina ennen jännitteen mitatusta, että yleismittarista on valittu oikea mittausalue ja että se ei ole virta-, resistanssi- tai diodimittauksessa. Varmista, että käytät kullekin mittausalueelle kuuluvaa oikeaa mittausröikää.
- Ole erityisen varovainen mitatessasi jännitettä, joka on yli 60 V. Tämä koskee erityisesti tehokkaita mitattavia kohteita.
- Varmista aina että mittauskohteessa ei ole virtaa ennen kuin kytket testausjohtimet sarjaan mittapiirin kanssa (esim. virtamittauksessa).
- Varmista ennen resistanssimitatusta ja summeri/dioditestusta, että testattavassa piirissä ei ole virtaa.
- Varmista aina, että valitset oikean toiminnon ja mittausalueen. Jos et ole varma oikeasta mittausalueesta, aloita korkeimmasta, ja siirry pienempään.
- Ole erityisen varovainen kun mittaat induktiivisia komponentteja, kuten muuntajia, relekäämejä tai vastaavia. Korkeajännitettä saattaa syntyä (indusoitua) mitattavassa kohteessa virtapiirin katketessa.
- Varmista, että testausjohtimet ovat ehjät ja että eristeet eivät ole vahingoittuneet.
- Kun vaihdat sulakkeen, varmista että uusi on oikean tyyppinen ja että siinä on oikea arvo.

Jännitemittaus

Tarkista pariston kunto kiertämällä mittaustoiminnon valitsin uuteen mittaustoimintoon. Pariston kuvake ilmestyy näytölle, jos paristo on heikko.

1. Liitä musta testausjohtin kohtaan **COM** ja punainen kohtaan **VmAμA**.
2. Aseta mittaustoiminnon valitsin kohtaan **V~** (200/250 V~) tai **V=** (200 mV – 250 V), ja valitse jännitteen mittaukselle sopiva mitta-asteikko.

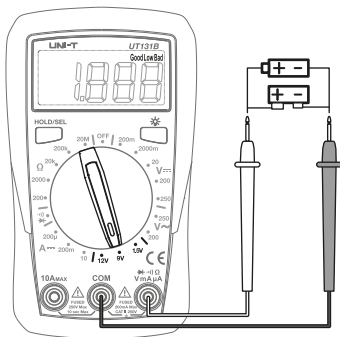


3. Liitä testausjohtimet mitattavaan jännitelähteeseen. Lue mitta-arvo.

Huom.! Jos tasajännitemittauksessa on kytketty väärä napaisuus, näytöllä näkyy miinusmerkki ennen mitta-arvoa.

Paristomittaus

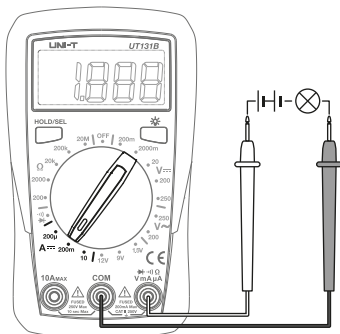
1. Liitä musta testausjohdin kohtaan **COM** ja punainen kohtaan **VmAµA**.
2. Aseta mittaustoiminnon valitsin kohtaan **12 V**, **9 V** tai **1,5 V** riippuen testattavasta paristotyyppistä.
3. Näytöllä näkyy jokin seuraavista pariston tiloista: *Good*, *Low* tai *Bad*.



Pariston malli	1,5 V	9 V	12 V
Kuormavastus	30 Ω	900 Ω	60 Ω
Good	≥ 1,31 V	≥ 7,8 V	≥ 10,5 V
Low	0,95–1,31 V	5,7–7,7 V	7,6–10,4 V
Bad	≤ 0,94 V	≤ 5,6 V	≤ 7,5 V

Tasavirran mittaaminen

1. Liitä musta testausjohdin kohtaan **COM** ja punainen kohtaan **VmA μ A** (mittaus välillä 0–200 mA) tai kohtaan **10A MAX** (mittaus välillä 200 mA ja 10 A).
2. Aseta mittaustoiminnon valitsin kohtaan **A** $\overline{\text{---}}$.
3. Sarjakytke testausjohtimet virtalähteen ja mitattavan kohteen välille. Lue mitta-arvo.




Varoitus!

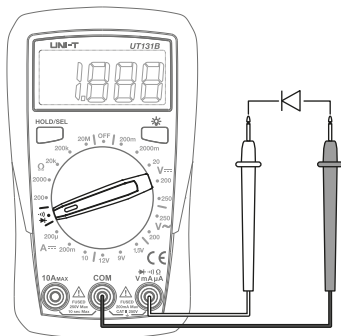
Älä kytke kaapeleita rinnakkain jännitelähteeseen virransyötössä. Jos et ole varma oikeasta mittausalueesta, aloita korkeimmasta ja siirry pienempään.

Korkean virranvoimakkuuden mittauksessa yleismittari saa olla liitettyä vain lyhyen aikaa (alle 10 sekuntia, kun virranvoimakkuus > 10 A). Näin vältetään shuntin ylikuumentuminen.

Kahden mittauksen välillä tulee olla yli 15 minuuttia.

Dioditestaus

1. Liitä musta testausjohdin kohtaan **COM** ja punainen testausjohdin kohtaan **VmAμA**.
2. Aseta mittaustoiminnon valitsin kohtaan  ja paina painiketta [HOLD/SEL], kun mittaat diodin kynnysjännitettä (V).
3. Liitä musta testausjohdin testattavan diodin katodiin ja punainen testausjohdin anodiin. Lue näytöltä pääjännitteen häviö. Jos näytöllä lukee "OL", yritä vaihtaa diodin napaisuutta. Huomioi, että diodi saattaa olla myös viallinen.



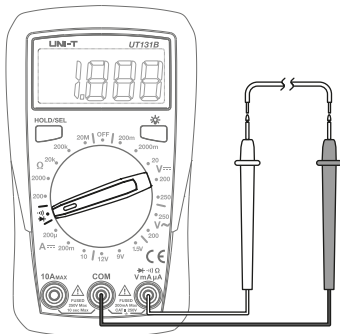
Varoitus!

Varmista ennen dioditestausta, että testattavassa piirissä ei ole virtaa. Ole erityisen varovainen kun mittaat induktiivisia komponentteja, kuten muuntajia, relekkämejä tai vastaavia. Varmista ennen mittausta, että ne ovat tyhjiä. Korkeajännitettä saattaa syntyä (indusoitua) mitattavassa kohteessa virtapiiriin katketessa.

Huom.! Piirin diodin jännitehäviön tulee olla 0,5–0,8 V. Takajännitehäviö saattaa vaihdella paljon riippuen mittauskärkien muiden johdinteiden vastuksesta.

Jatkuvuusmittaus (johtavuus)

1. Liitä musta testausjohdin kohtaan **COM** ja punainen testausjohdin kohtaan **VmAµA**. Aseta mittaustoiminnon valitsin kohtaan **•|)**.
2. Liitä testausjohtimet mitattavien kaapeleiden päihin.
 - Johdossa ei katkosta: Summeri soi koko ajan, jos vastus on $\leq 10 \Omega$.
 - Johdossa on katkos: Summeri ei soi, jos vastus on $>51 \Omega$.



Varoitus!

Varmista ennen jatkuvuustestausta, että testattavassa piirissä ei ole virtaa.

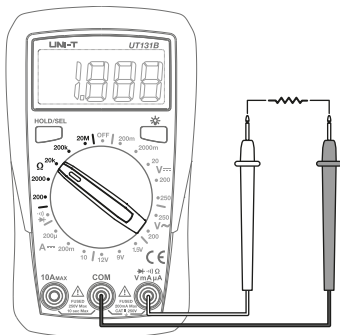
Ole erityisen varovainen kun mittaat induktiivisia komponentteja, kuten muuntajia, relekäämejä tai vastaavia. Varmista ennen mittausta, että ne ovat tyhjiä. Korkeajännitettä saattaa syntyä (indusoitua) mitattavassa kohteessa virtapiirin katketessa.

Vältä iskut ja työskentele erittäin varovaisesti, kun jännite on yli 60 VDC tai 30 VAC RMS. Korkeampi jännite aiheuttaa voimakkaan iskun riskin.

Huom.! Avoimen piirin testijännite noin 2,1 V.

Resistanssimittaus

1. Liitä musta testausjohdin kohtaan **COM** ja punainen kohtaan **VmA μ A**.
2. Aseta mittaustoiminnon valitsin kohtaan Ω ja valitse resistanssimittaukselle haluttu mitta-asteikko.
3. Liitä testausjohtimet mitattavaan piiriin. Lue mitta-arvo.



Varoitus! Varmista ennen mittausta, että testattava mittauskohde on virraton.

Vältä henkilövahingot älkä mittaa komponentteja, joiden jännite on yli 60 V (DC) tai 30 V (AC).

Testausjohtimet saattavat lisätä 0,1–0,2 Ω todelliseen mitta-arvoon. Jotta voit mitata tarkasti komponentteja, joissa on alhainen resistanssi, oikosulje tuloliitännät, merkitse ylös oikosuljettu arvo ja käytä sitä laskeaksesi pois virhemittauksen näytöllä näkyvästä mittaustuloksesta.

Jos oikosuljettu arvo on yli 0,5 Ω , niin varmista, että liitännöissä/ testausjohtimissa ei ole välystä tai että ne eivät ole vahingoittuneet.

Korkean resistanssin (>1 M Ω) mittauksessa on tavallista, että kestää joitakin sekunteja ennen kuin mittaustuloksen näyttö vakaantuu.

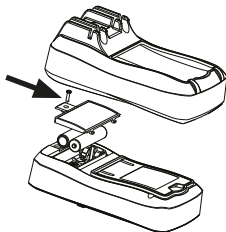
Mahdollisimman tarkan tuloksen saavuttamiseksi tulee käyttää mahdollisimman lyhyitä ja laadukkaita testausjohtimia.

Huolto ja ylläpito

- Puhdista laite kevyesti kostutetulla liinalla. Käytä mietoa puhdistusainetta. Älä käytä liuottimia tai syövyttäviä kemikaaleja.
- Jos laitetta ei käytetä pitkään aikaan, irrota paristo ja säilytä laitetta kuivassa ja pölyttömässä paikassa lasten ulottumattomissa.

Pariston vaihtaminen

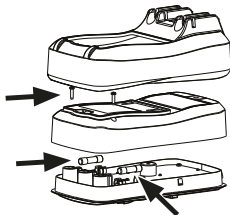
1. Irrota testausjohtimet.
2. Aseta mittaustoiminnon valitsin asentoon **OFF**.
3. Ota pois muovisuojus.
4. Avaa ruuvi ja poista paristolokeron kansi.
5. Irrota paristot paristolokerosta.
6. Aseta uudet paristot (2 x AAA, LR03). Varmista paristolokeron pohjassa olevista merkinnöistä, että paristot tulevat oikein päin.
7. Laita paristolokeron kansi paikalleen ja ruuvaa ruuvi kiinni.
8. Laita muovisuojus paikalleen.



Sulakkeen vaihtaminen

Sulakkeet pitää tarkistaa, kun näytöllä näkyy kuvake "OL" ja merkkiäänä soi.

1. Irrota testausjohtimet laitteesta.
2. Aseta mittaustoiminnon valitsin asentoon **OFF**.
3. Ota pois muovisuojus.
4. Avaa takaosan kaksi ruuvia ja irrota takaosa.
5. Vaihda tilalle sulake/sulakkeet, joissa on samat arvot kuin vanhoissa.



1 x 10 A, 250 V, BFC (nopea keraaminen) 5 x 20 mm
1 x 200 mA 250 V, BFC (nopea keraaminen) 5 x 20 mm

6. Laita takaosa paikalleen ja kiristä ruuvit.

Kierrättäminen

Tämä kuvake tarkoittaa, että tuotetta ei saa hävittää kotitalousjätteen seassa. Tämä koskee koko EU-aluetta. Virheellisestä hävittämisestä johtuvien mahdollisten ympäristö- ja terveyshaittojen ehkäisemiseksi tuote tulee viedä kierrätettäväksi, jotta materiaali voidaan käsitellä vastuullisella tavalla. Kierrätä tuote käyttämällä paikallisia kierrätysjärjestelmiä tai ota yhteys ostopaikkaan. Ostopaikassa tuote kierrätetään vastuullisella tavalla.



Tekniset tiedot

Yleiset tiedot

Napaisuus	Negatiivisen napaisuuden (-) automaattinen ilmoitus
Nollaaminen	Automaattinen
Strömförsörjning	2 × AAA, LR03 1,5 V
Ylikuormitussuoja sulakkeet	1 × 10 A, 250 V, BFC (nopea keraaminen) 5 × 20 mm 1 × 200 mA 250 V, BFC (nopea keraaminen) 5 × 20 mm
Mittauspäivitys	2–3 kertaa sekunnissa
Mittausalue	Manuaalinen asetus
Paristojen varaustason varoitus	Paristosymboli näkyy näytöllä
Käyttöympäristö	0–40 °C (32–104 °F) 0–30 °C ≤75% ilmankosteus 30–40 °C ≤50% ilmankosteus
Säilytysympäristö	–10 – +50 °C (14–122 °F)
Suurin käyttök korkeus	2000 m
Mitat	134 × 77 × 47 mm
Paino	Noin 216 grammaa (paristojen kanssa)

Sähkötekniset tiedot

DC Voltage

Range	Resolution	Accuracy	Overload protection
200 mV	0.1 mV	$\pm(0.7\%+3)$	250 Vrms (AD/DC)
2000 mV	1 mV	$\pm(0.5\%+2)$	
20.00 V	0.01 V	$\pm(0.7\%+3)$	
200.0 V	0.1 V	$\pm(0.7\%+3)$	
250 V	1 V	$\pm(0.7\%+3)$	

Input impedance: about 10 M Ω

AC Voltage


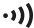
Range	Resolution	Accuracy	Overload protection
200.0 V	0.1V	$\pm (1.2 \% + 3)$	250 Vrms (AC/DC)
250 V	1 V		

Input impedance: about 10 M Ω

Resistance

Range	Resolution	Accuracy	Overload protection
200.0 Ω	0.1 Ω	$\pm (1.0 \% + 2)$	250 Vrms(AC/DC)
2000 Ω	1 Ω	$\pm (0.8 \% + 2)$	
20.00 K Ω	0.01 K Ω	$\pm (0.8 \% + 2)$	
200.0 k Ω	0.1 k Ω	$\pm (0.8 \% + 2)$	
20.00 M Ω	0.01 M Ω	$\pm (1.2 \% + 3)$	

Diode and continuity measurement

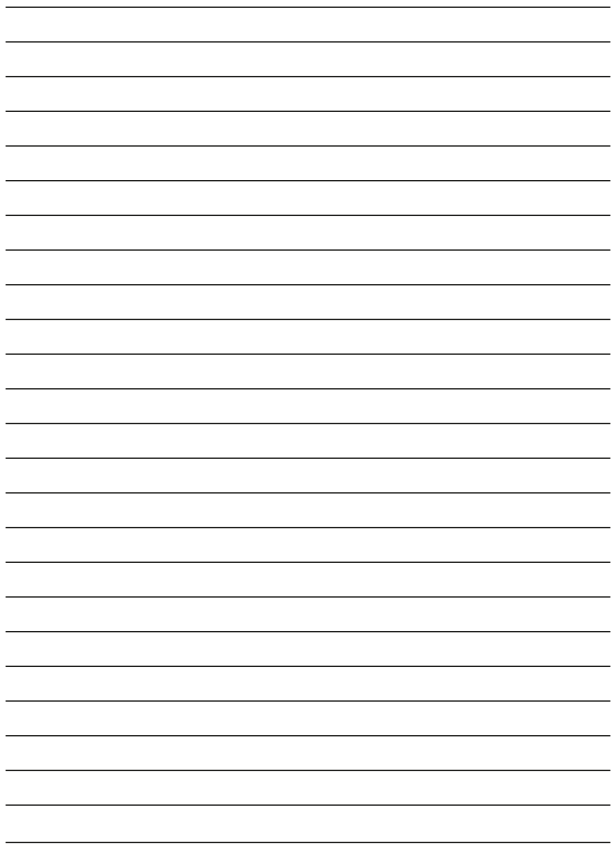
Range	Resolution	Accuracy	Overload protection
	0.001 V	Open circuit voltage: 2,1V test current is about 1mA Silicon PN junction voltage is about 0,5–0,8V.	250 Vrms(AC/DC)
	0.1 Ω	If the measured resistance is greater than 50 Ω , the measured circuit will be regarded as in open status, and the buzzer does not go off. If the measured circuit will be regarded as in good conduction status, and the buzzer goes off.	

Remark: Make sure voltage level of calibrated equipment is less than 10 V to avoid damages to the meter.

DC current

Range	Resolution	Accuracy	Overload protection
200.0 μ A	0.1 μ A	$\pm (1,0\%+2)$	250 Vrms(AC/DC)
200.0 mA	0.1 mA	$\pm (1,0\%+2)$	
10.00 A	0.01 A	$\pm (1,2\%+5)$	

Remark: At 10 A range: For continuous measurement ≤ 10 seconds and interval not less than 15 minutes.



STARTAX

www.startax.net