

## TECHNICAL DATA SHEET

# Ref. 1100-9802

UNIPOLAR ELECTROMAGNETIC BATTERY  
MASTER SWITCH W/ AUXILIARY CIRCUIT D+  
24VDC / 300A



### Size diagrams

#### GENERAL CHARACTERISTICS

Protection degree: IP65  
Ambient temperature: -40°C to +80°C  
Weight: 1.2 Kg approx.  
Contacts: Double cut copper  
Connections: not polarized  
Is working in all positions

#### FIELDS OF APPLICATION

Handling vehicles, industrial vehicles,  
agriculture machinery...

#### CONTROL CIRCUIT

Breakaway starting current: 4.5 A (20 ms)  
Holding current: 0,3 A  
Absorbed power from the coil: < 6 W  
Guaranteed interlocking tension: 18 V  
Disengaging tension: ≤ 6 V  
Connections by M5 terminals  
Tightening torque: 0.4 +/- 0.2 daN·m

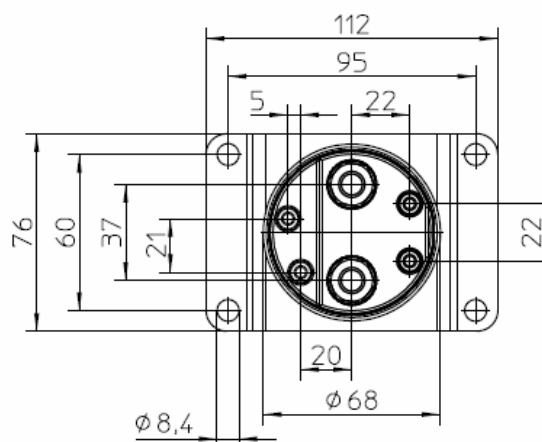
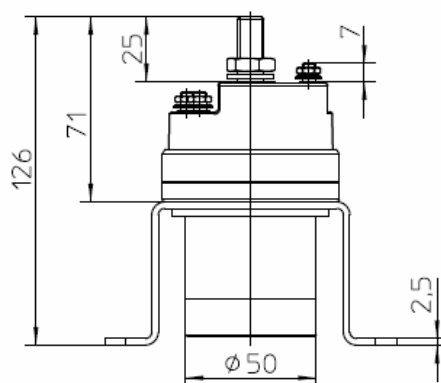
#### POWER CIRCUIT

Connection: M10 terminals  
Tightening torque: 1.4 +/- 0.2 daN·m  
Type: normally open unipolar  
Max. using tension: 48 V  
Capacity:

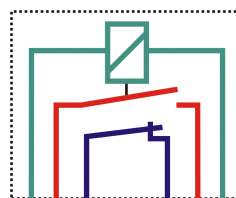
300 A in continuous  
2400 A during 1 second  
600 A during 20 seconds

#### PARTICULAR CHARACTERISTICS:

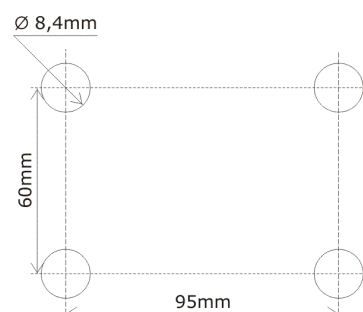
Black galvanised finishing.  
Corrosion test: 200 h salt spray resistance



#### Connection diagram



#### Fixing diagram



#### AUXILIARY CIRCUIT

For alternator with incorporated controller unit  
Independent Normally Closed Unipolar  
Capacity: 10 A  
Put to earth the D+ circuit before cutting the principal one  
Connections by M5 terminals  
Tightening torque 0.4 +/- 20% daN·m



Maahantuoja:

Startax Auto-Electronics Oy

Kannistontie 138, 33880 Lempäälä | puh. (03) 275 050 fax. (03) 275 0555

www.startax.net