

WLJ series

3" ROUND LIGHT Single or Dual Colour



FEATURES

- 390 lm round flood light for small area illumination.
- Waterproof IPX8 rating for both exterior and interior applications.
- Aluminium base for efficient heat dissipation and maximum durability.
- Reverse polarity protection.
- Versatile Mounting in 2-bolt mount, Rubber boot flush mount or adhesive mount

SPECIFICATIONS

Compliance: IPX8

Operating Voltage: 12-24VDC

Beam Type: Flood

LED Elements: Single Colour - High Power LED x 6 pcs
Dual Colour - High Power LED 3 + 3 pcs

Lumen:

	White	Blue	Red
Single Colour Model	390lm Raw	N/A	N/A
	336lm Effective	N/A	N/A
Dual Colour Model	300lm Raw	119.4lm Raw	170.4lm Raw
	250lm Effective	95lm Effective	140lm Effective

Max. Current: 0.45A @ 12V ; 0.23A @ 24V

Max. Power: 5.4W (Single or Dual Colour)

Wires: Red-Vcc1 : 20cm (20AWG)

Black-GND : 20cm (20AWG)

White-Vcc2 : 20cm (20AWG) *dual model colour only

Fuse Rating: 1 A

Storage Temp. (°C): -40° ~ +75°

Working Temp. (°C): -30° ~ +65°

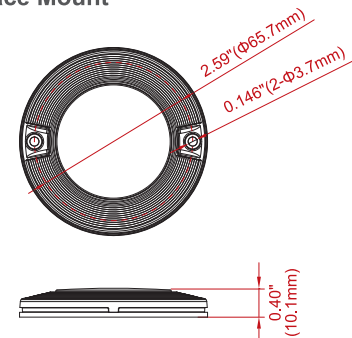
LED Colour: White, Blue/White, Red/White

Lens Colour: Clear

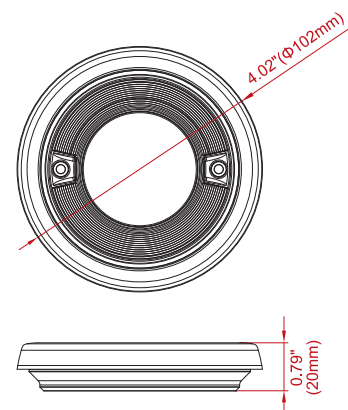
Warranty: 3 years

DIMENSIONS

Surface Mount



Flush Mount w/ Rubber Grommet



PART NO.

- **WL0J-0013x-00R** (Single colour, ECE R10)
- **WL0J-0003x-00R** (Single colour)
- **WL0J-1013x-00R** (Dual colour, ECE R10)
- **WL0J-1003x-00R** (Dual colour)

Note: W=White R=Red B=Blue
T=Blue/White U=Red/White

MOUNTING ACCESSORIES

- **99-WL0JM00-000**
(Flush Mount Rubber Grommet)

