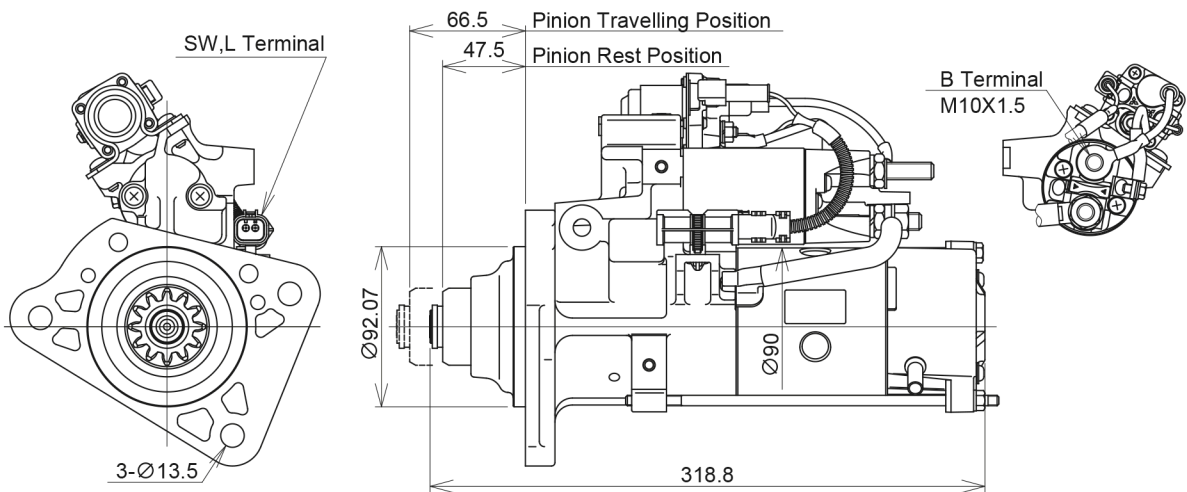


H/D STARTER

IAM Part Number	MELCO Product Number	Replaced Model	OE Maker
M9T65571AM	M009T65571ZZ9	M009T65571	MAN

(External dimensions)



Specifications	
Type/Series	90P55
Volt (V)	24
Nominal Power (kW)	5.5
Diameter (Type)	90
Mass (kg)	9.3
Number of Pinion Teeth	12
Rotation from Pinion	CLOCKWISE
Start of Production (Date)	2008
Applications	
Car Name	TRUCK
Engine	D20