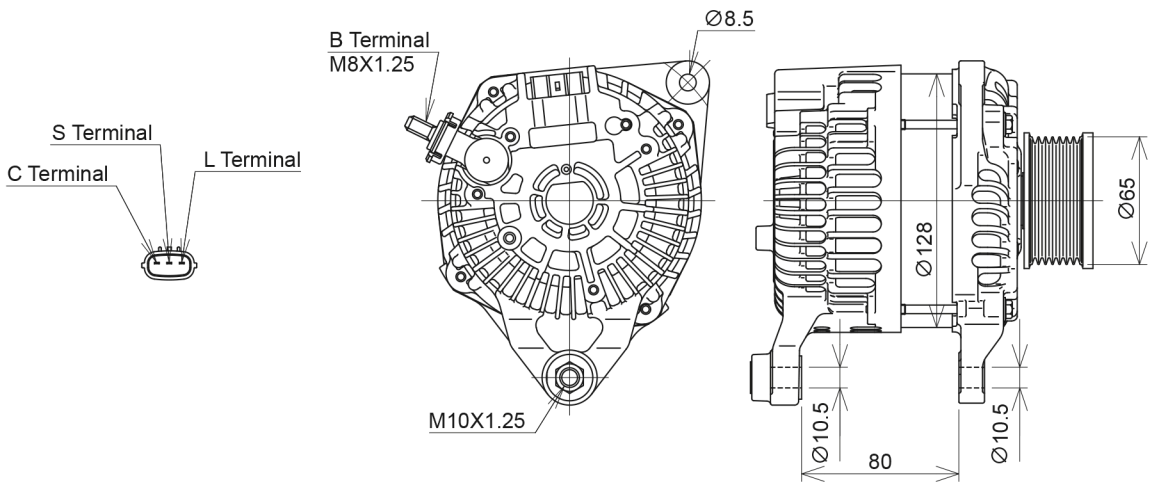


L/D ALTERNATOR

IAM Part Number	MELCO Product Number	Replaced Model	OE Maker
# A2TX1781AM	A002TX1781ZZ9	A002TX1781	NISSAN
		A002TX1781A	
		A002TX1781AE	

(External dimensions)



Specifications	
Type/Series	9G
Volt (V)	12
Nominal Output (A)	150
Diameter (mm)	128
Mass (kg)	6.4
Rotation from Pulley	CLOCKWISE
Start of Production (Date)	2009
Applications	
Car Name	MURANO
Engine	YD2K3

# : limited stock