

mini FALCON

WIRING / OPERATION

4-Wire Cable



RED: To +VDC (Fuse @ 4A) for Warning Mode

BLACK: To Chassis Ground (-)

WHITE: For Low Power

Apply +VDC to **WHITE** wire to activate low power while warning mode is active.

YELLOW: Flash Patterns & Synchronization

For Flash Pattern selection, momentarily apply +VDC to **YELLOW** wire.

- once to the next pattern.
- quick 3 times to FP# 1.

Connect **YELLOW** wires of all units together for synchronization; all units should be set to the same flash pattern.

2-Button Cigar Plug



ON/OFF button:
Turn ON for Warning Mode.

Flash Pattern button:
Momentarily press the button

- once to the next pattern
- quick 3 times to FP# 1

FLASH PATTERNS

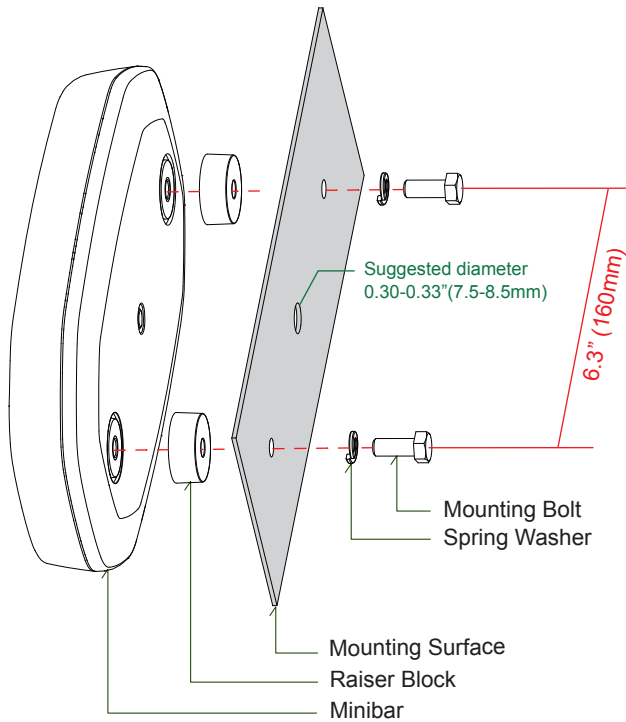
| FP# | Flash Patterns | FP# | Flash Patterns | FP# | Flash Patterns |
|-----|-----------------|-----|---------------------------------|-----|-----------------------------|
| 1 | Double [R65]* | 11 | Quint [SAE] | 21 | Triple (Split) |
| 2 | Single [2Hz] | 12 | Mega | 22 | Quad (Split) |
| 3 | Triple [2Hz] | 13 | Giga | 23 | Quint (Split) |
| 4 | Quad [2Hz] | 14 | Ultra [SAE] | 24 | Mega (Split) |
| 5 | Random | 15 | Single-Quad | 25 | Giga (Split) |
| 6 | Steady / Cruise | 16 | Single H/L | 26 | Ultra (Split) |
| 7 | Single [SAE] | 17 | Single-Triple-Quint | 27 | Single-Quad (Split) |
| 8 | Double [SAE] | 18 | Half-Steady-Half-Double (Split) | 28 | Single H/L (Split) |
| 9 | Triple [SAE] | 19 | Single (Split) | 29 | Single-Triple-Quint (Split) |
| 10 | Quad [SAE] | 20 | Double (Split) | | |

(Split) = Left-half alternating Right-half.

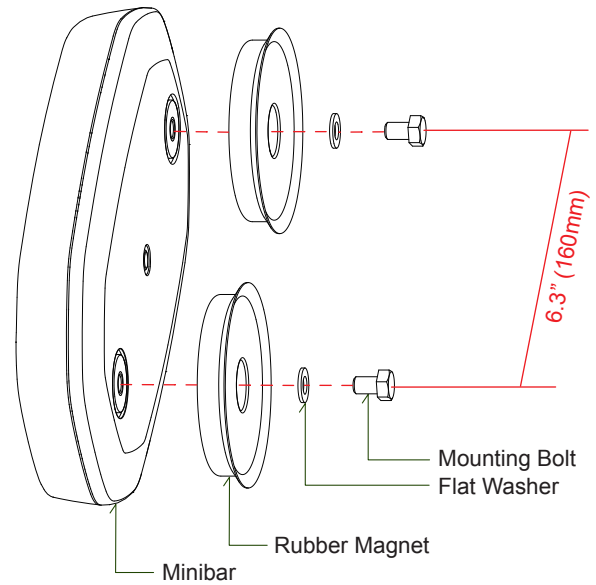
*Actual approval will be based on the model purchased.

INSTALLATION (Actual Mounting Kit varies between Models)

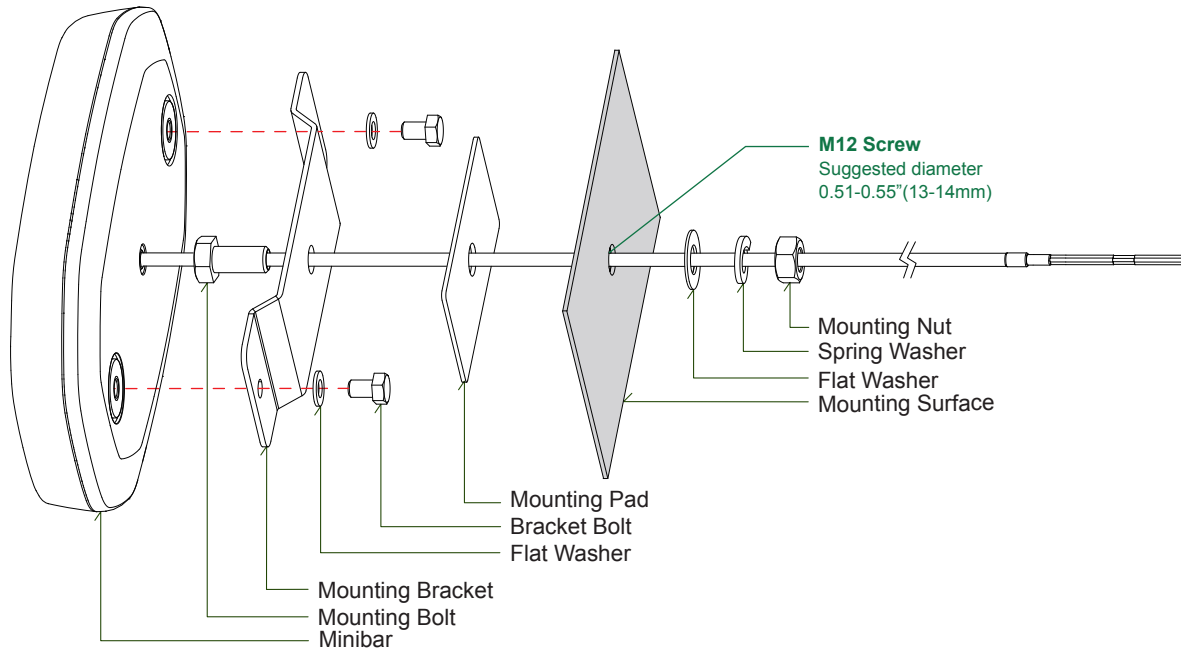
2-Bolt Mount



Rubber Magnet Mount



1-Bolt Mount



WARNING:

1. Do not look directly into LEDs while in operation; may cause momentary blindness and/or eye damage.
2. The use of any magnetically mounted warning device on the outside of a vehicle in motion is not recommended and is at the sole risk and responsibility of the user.