

# BOSCH VESIPUMPPU 24V

**BOSCH**

## Application

Please contact us if the pumps are to be used for fluids other than water.

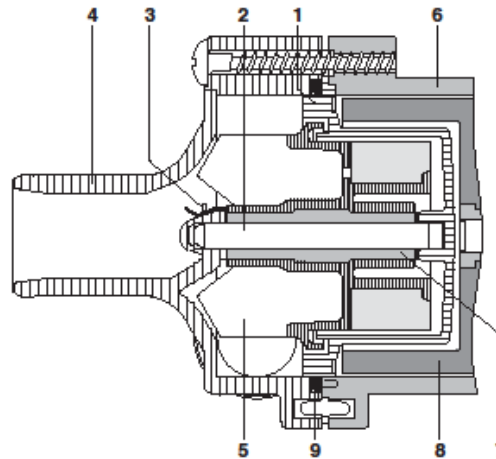
## Type

Centrifugal pumps with magnetic coupling, no seal between motor and pump, therefore leak-free.

**Note!**

These water-circulating pumps are not self-priming.

1 Pump housing (polyetherimide with glass fibers). 2 Bearing pin (stainless steel). 3 Thrust ring (stainless steel). 4 Pump housing (polyamide 66, by choice polyetherimide with glass fiber). 5 Impeller (plasto-ferrite). 6 Pump housing (polyamide 6 with mineral fibers and short glass fibers). 7 Bearing bush (resin-bonded carbon). 8 Magnet (plasto-ferrite). 9 O-Ring (soft silicone rubber, by choice EPDM).



**BOSCH**

PAA

## 24 V

|                       |       |                                        |
|-----------------------|-------|----------------------------------------|
| Nominal voltage       | $U_N$ | 24 V                                   |
| Delivery              | $V$   | 1100 dm <sup>3</sup> · h <sup>-1</sup> |
| Delivery pressure     | $p$   | 0.1 bar                                |
| Direction of rotation |       | R                                      |
| Type of duty          |       | S 1                                    |
| Degree of protection  |       | IP 5 K 4*                              |
| Weight                |       | approx. 0.45 kg                        |
| Part number           |       | <b>0 392 020 027</b>                   |

\* Applies only with receptacle housing in place

